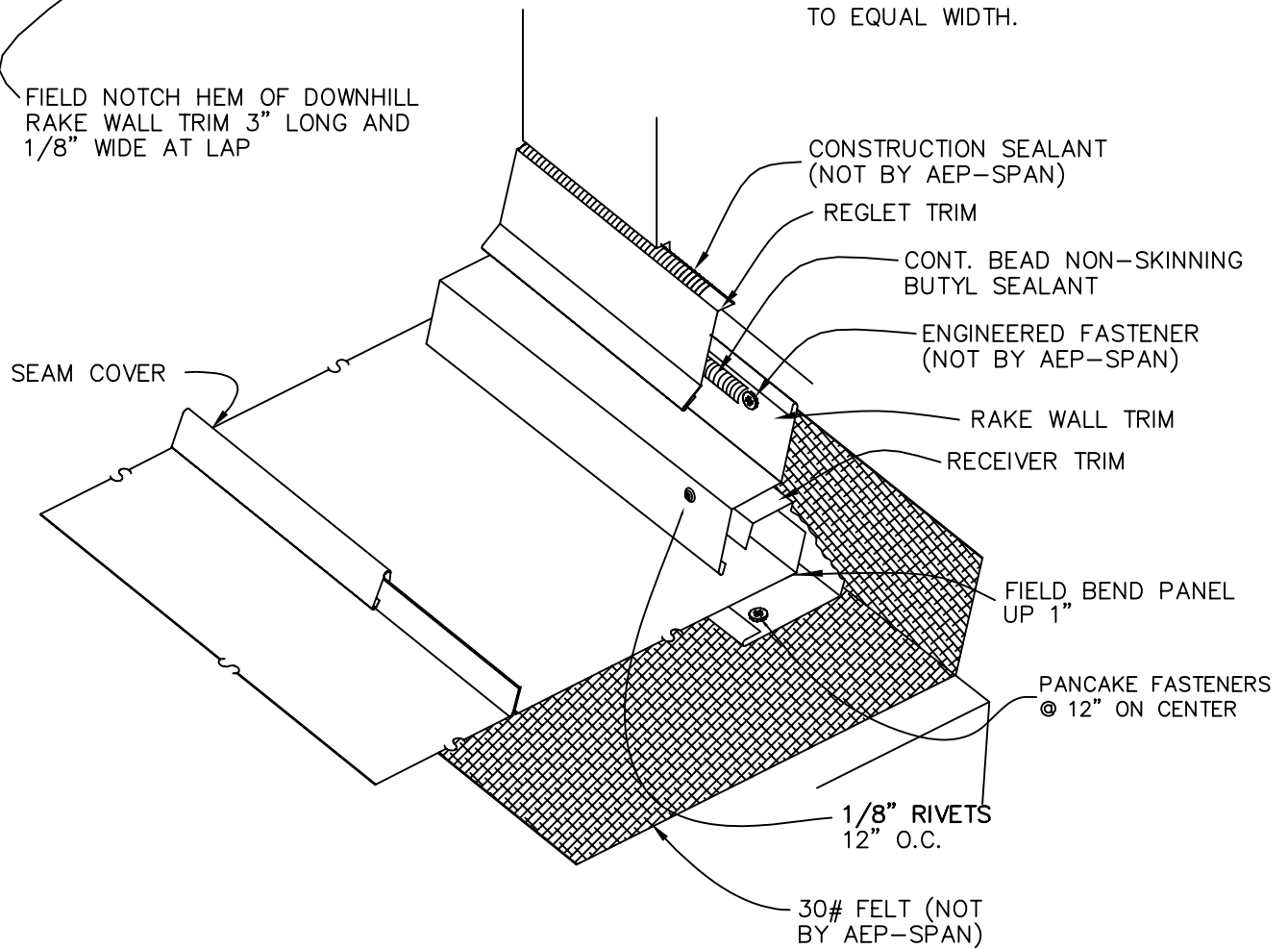


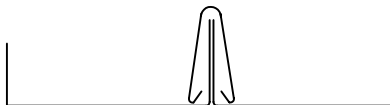
APPLY (2) 3/8" BEADS OF NON-SKINNING BUTYL SEALANT TO TOP SIDE OF DOWNHILL TRIM BEFORE ENGAGING

FIELD NOTCH HEM OF DOWNHILL RAKE WALL TRIM 3" LONG AND 1/8" WIDE AT LAP

NOTE:
FIELD CUT FIRST
AND LAST PANELS
TO EQUAL WIDTH.



CAP-SEAM



RAKE WALL

CS3D9