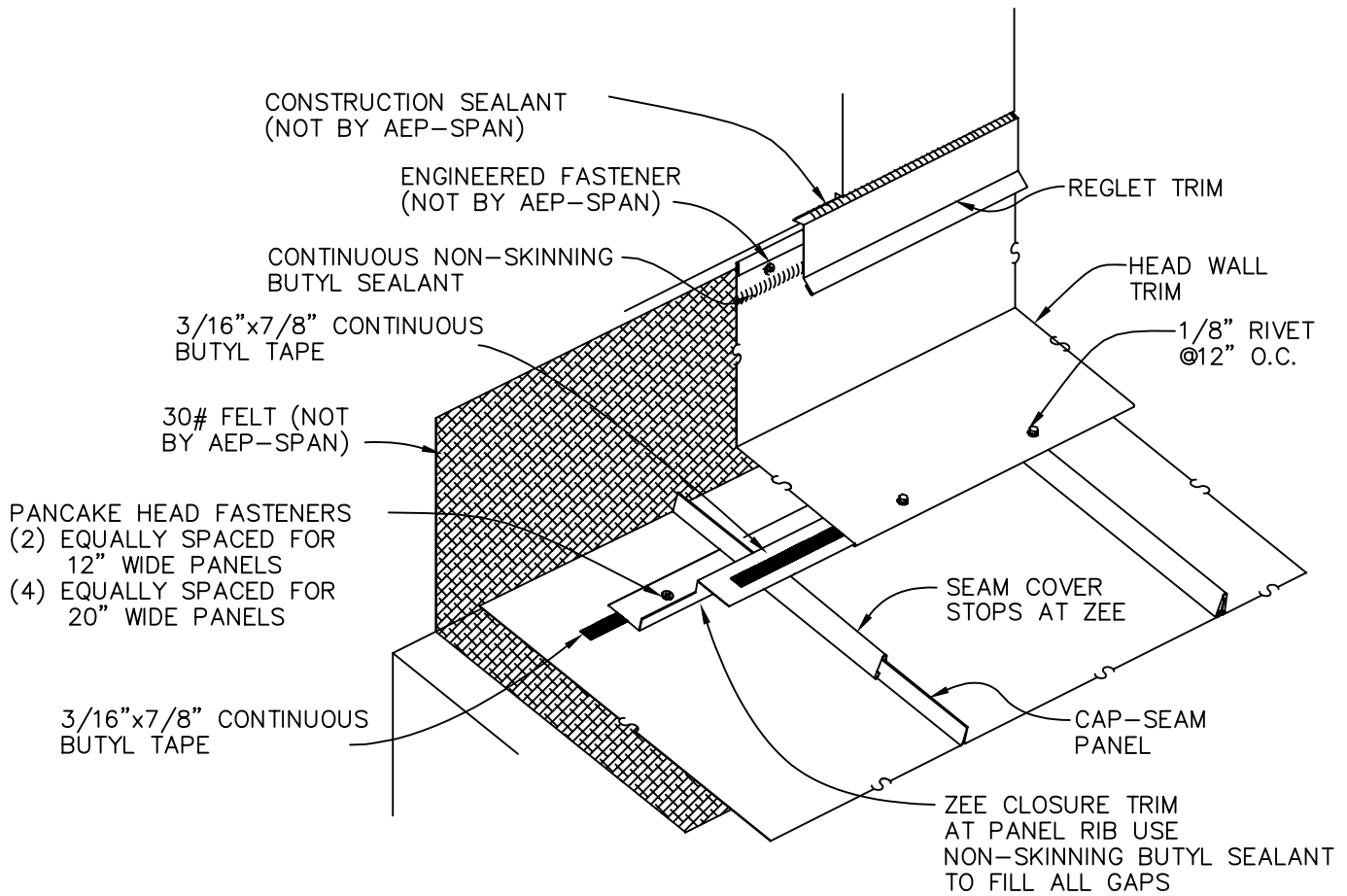
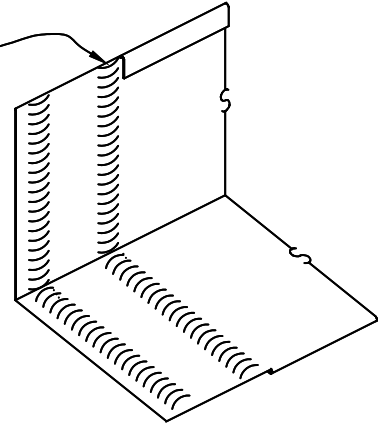
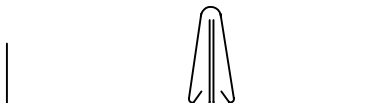


FIELD NOTCH HEMS OF JOINING HEAD WALL TRIM 3" LONG AND 1/8" WIDE AT LAP. APPLY (2) 3/8" BEADS OF NON-SKINNING BUTYL SEALANT TO TOPSIDE OF JOINING TRIM BEFORE ENGAGING



CAP-SEAM



HEAD WALL

CS3D10