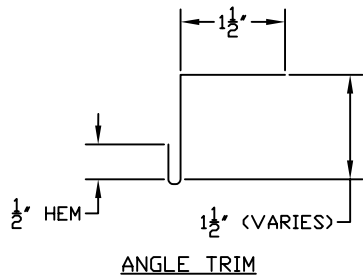
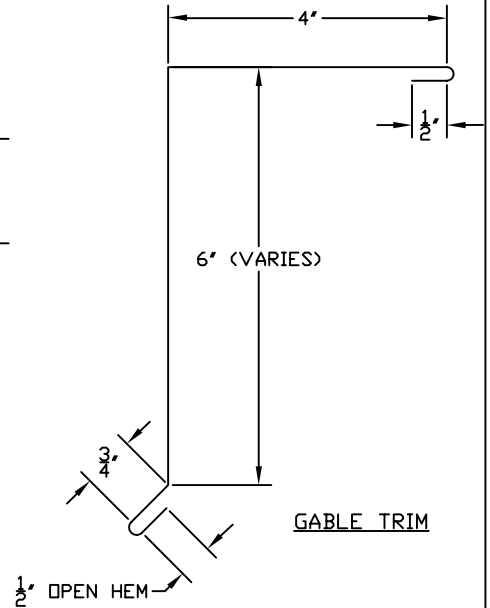


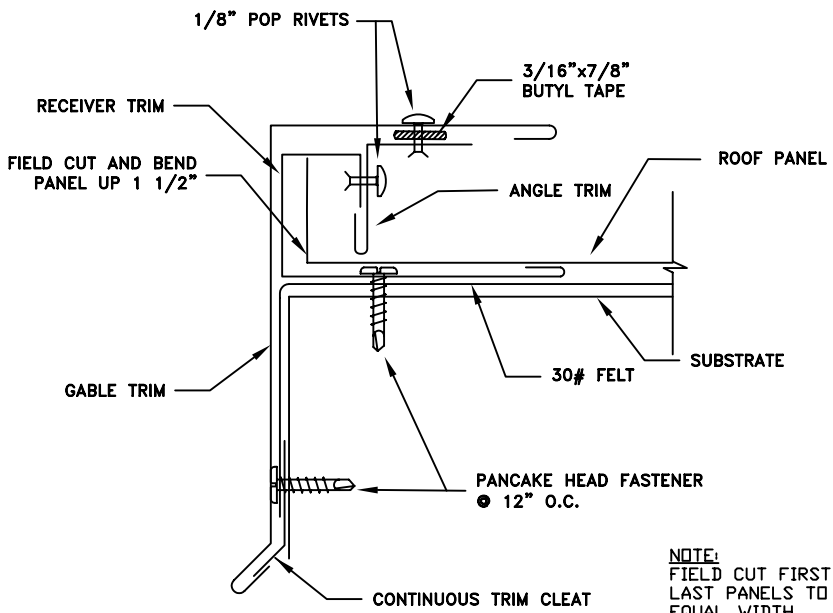
RECEIVER TRIM



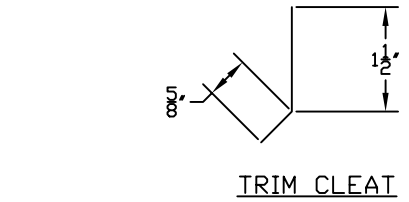
ANGLE TRIM



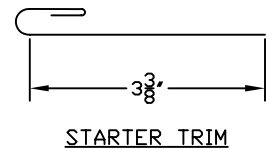
GABLE TRIM



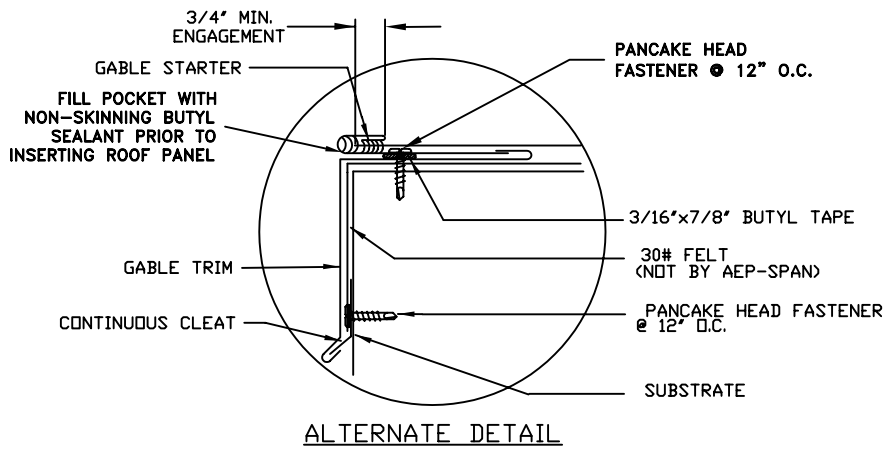
NOTE:  
FIELD CUT FIRST AND  
LAST PANELS TO  
EQUAL WIDTH



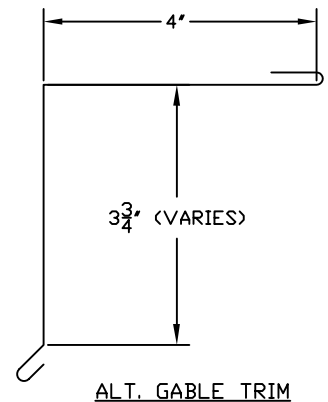
TRIM CLEAT



STARTER TRIM



ALTERNATE DETAIL



ALT. GABLE TRIM



DESIGN SPAN HP  
& SELECT SEAM

GABLE

DS-08