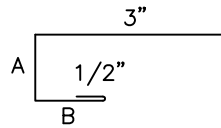
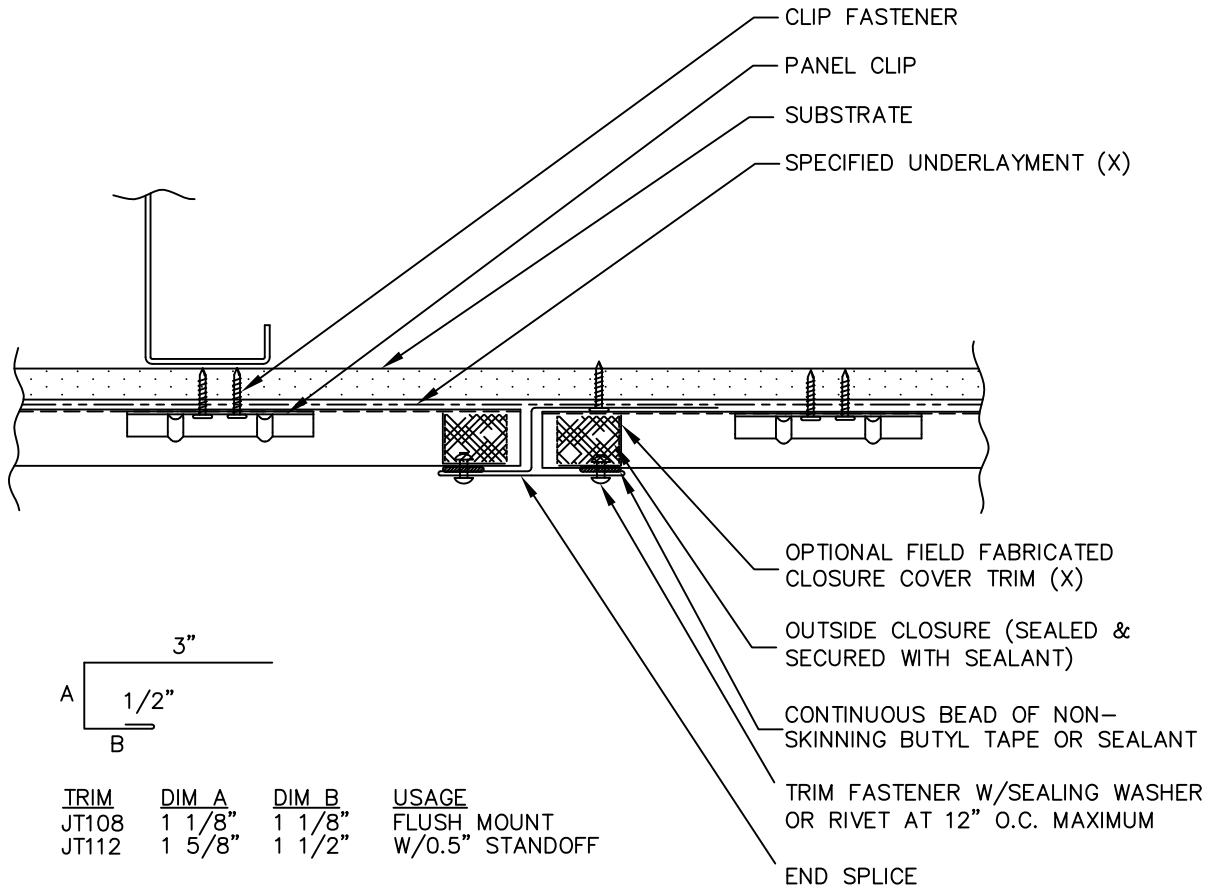
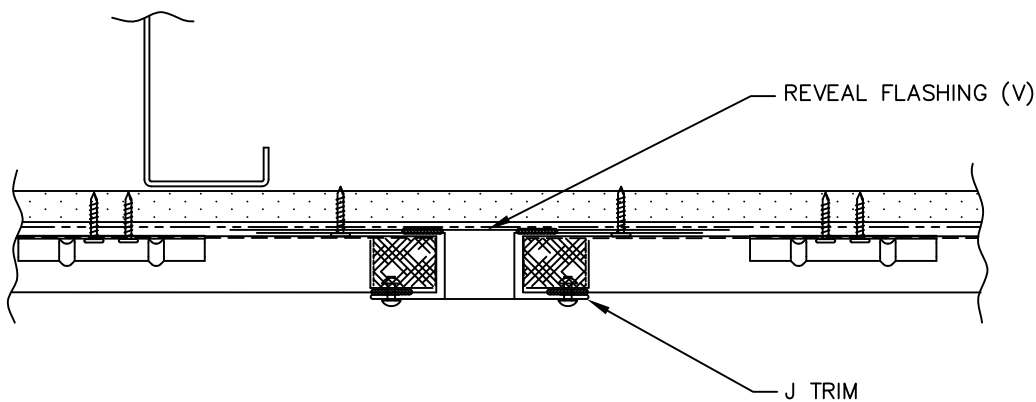


TRIM	DIM A	USAGE
MT110	1 1/8"	FLUSH MOUNT
MT114	1 5/8"	W/0.5" STANDOFF



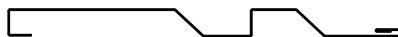
TRIM	DIM A	DIM B	USAGE
JT108	1 1/8"	1 1/8"	FLUSH MOUNT
JT112	1 5/8"	1 1/2"	W/0.5" STANDOFF



(X) - NOT BY AEP SPAN
 (V) - DIMENSIONS VARY BASED ON PROJECT CONDITIONS



PERCEPTION
 COLLECTION
 HORIZONTAL INSTALL.



END SPLICE (W/TRIM)

PCH-12