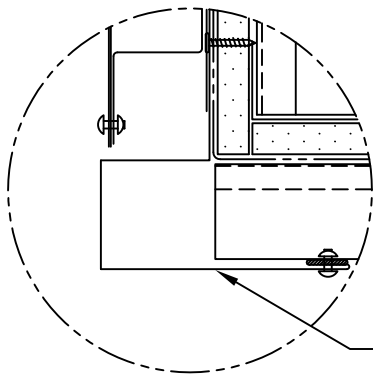
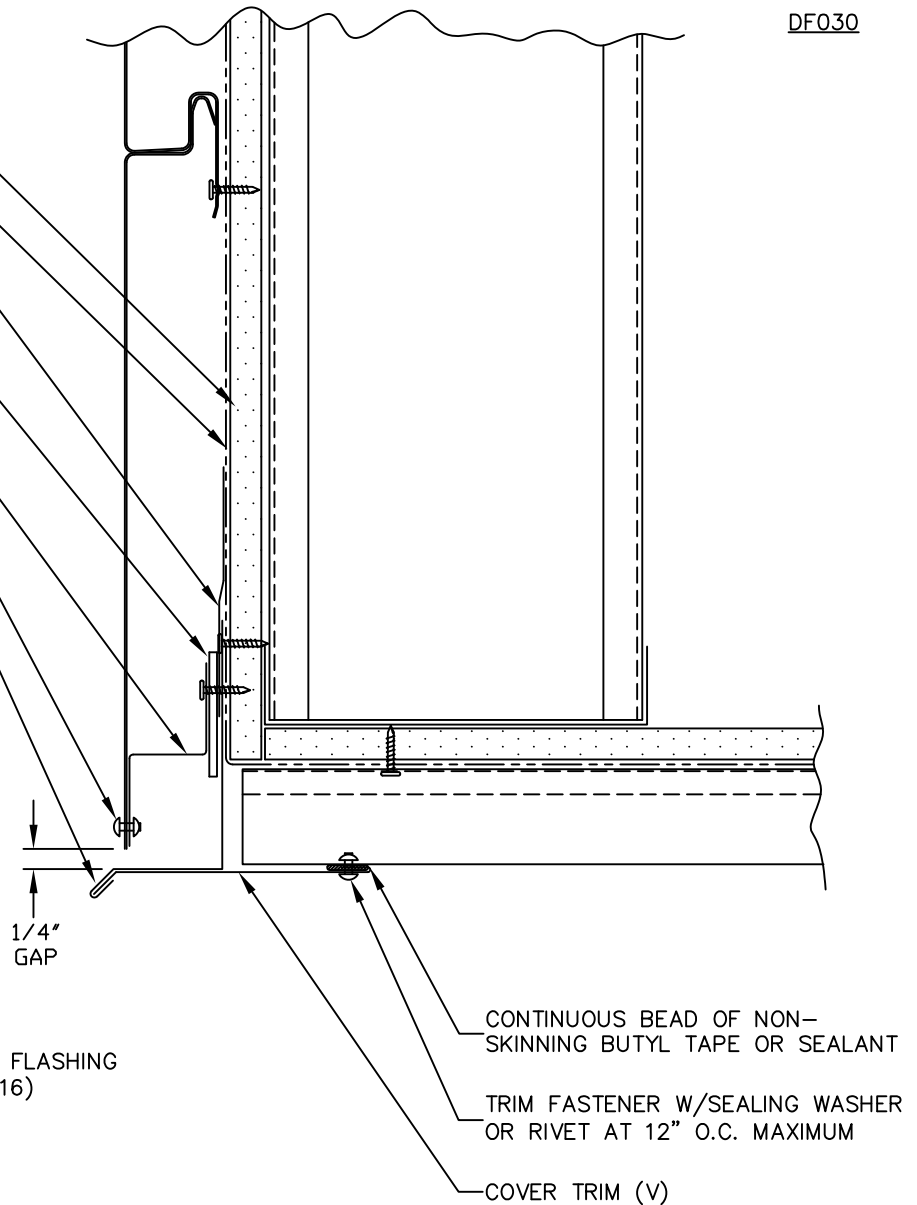


- SUBSTRATE
- SPECIFIED UNDERLAYMENT (X)
- BUTYL FLASHING TAPE (MAS.025BF)
- 1/8" THK HORSESHOE SHIM (SHIM.125) OR EQUIVALENT SEE NOTE 1
- Z-METAL (ZC224)
- TRIM FASTENER OR RIVET AT 12" O.C. MAXIMUM
- DRIP FLASHING (DF030)



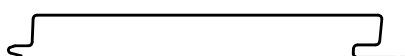
ALTERNATE DETAIL



- 1. SHIM USED FOR MOISTURE CONTROL (DRAINAGE) IN FLUSH MOUNT APPLICATIONS.
- (X) - NOT BY AEP SPAN
- (V) - DIMENSIONS VARY BASED ON PROJECT CONDITIONS



**PRESTIGE SERIES
HORIZONTAL INSTALL.**



SOFFIT (FRONT)

PSH-09