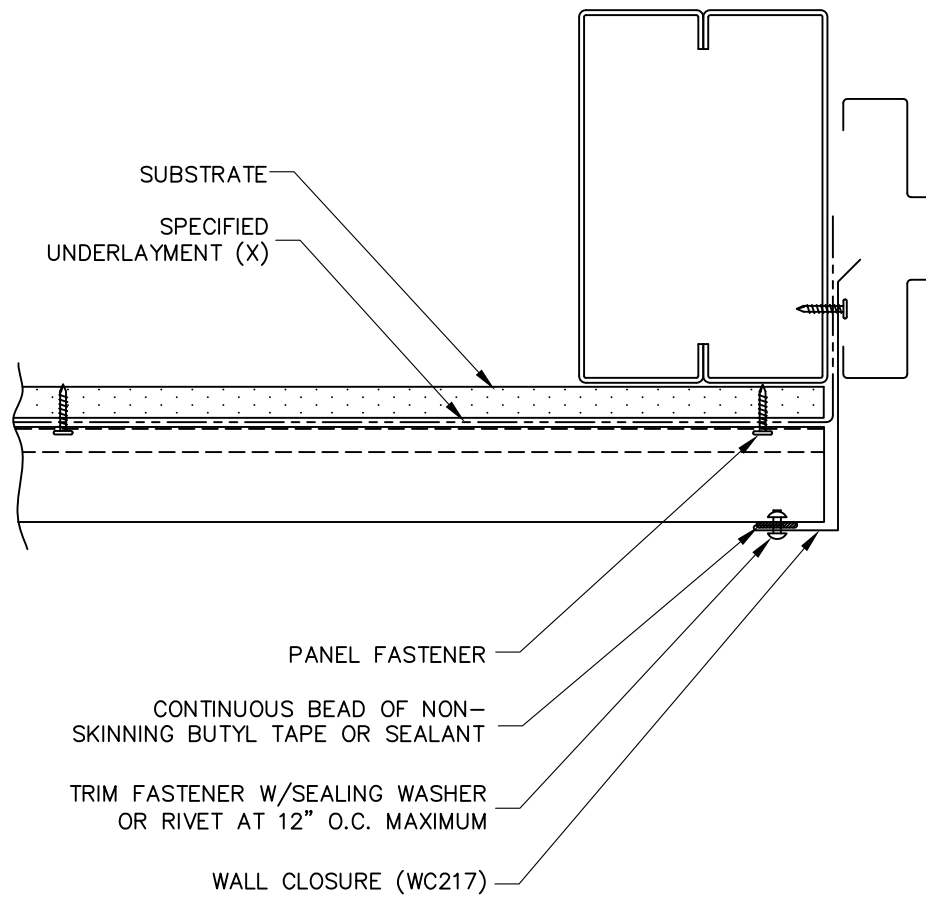


SEALANT
 TRIM ANGLE (V)
 WALL CLOSURE (V)

ALTERNATE DETAIL

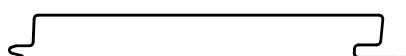


SUBSTRATE
 SPECIFIED UNDERLAYMENT (X)
 PANEL FASTENER
 CONTINUOUS BEAD OF NON-SKINNING BUTYL TAPE OR SEALANT
 TRIM FASTENER W/SEALING WASHER OR RIVET AT 12" O.C. MAXIMUM
 WALL CLOSURE (WC217)

(X) - NOT BY AEP SPAN



PRESTIGE SERIES
HORIZONTAL INSTALL.



DOOR / WINDOW
(JAMB)

PSH-14