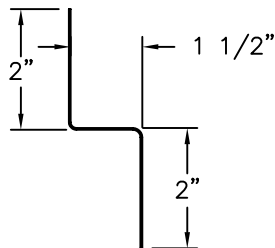
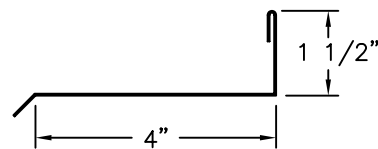


C-METAL



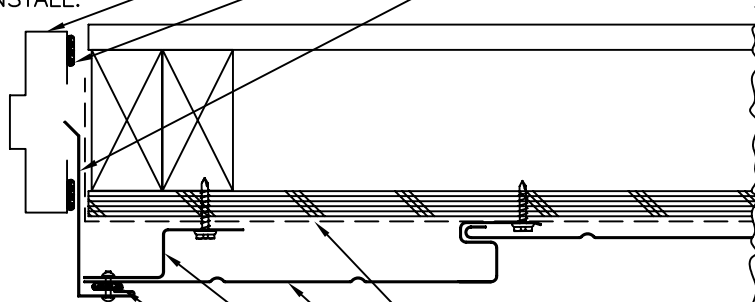
Z-METAL



DOOR/WINDOW TRIM

DOOR/WINDOW FRAME (NOT BY AEP SPAN)
 SEALANT BETWEEN FLASHING & FRAME (NOT BY AEP SPAN)
 DOOR/WINDOW TRIM

VERTICAL INSTALL.



30# FELT MINIMUM UNDERLAYMENT
 OR OTHER MEMBRANE AS REQUIRED

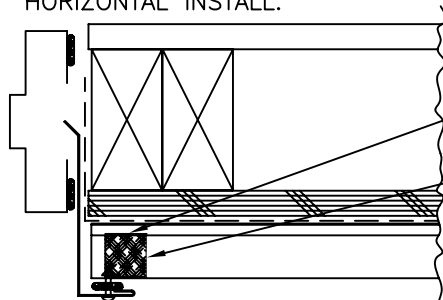
PS-12 WALL PANEL

Z-METAL, 24GA MIN.

BUTYL SEALANT- CONTINUOUS BEAD
 BETWEEN FLASHING AND PANEL

FASTENER W/NEOPRENE WASHER
 OR RIVETS AT 12".O.C. MAXIMUM

HORIZONTAL INSTALL.



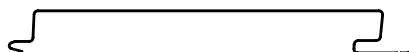
OUTSIDE CLOSURE (SEALED &
 SECURED WITH SEALANT)

ANGLE COVER TRIM
 FOR CLOSURE



PRESTIGE SERIES

DOOR-WINDOW TRIM
 (JAMB)



PS-13