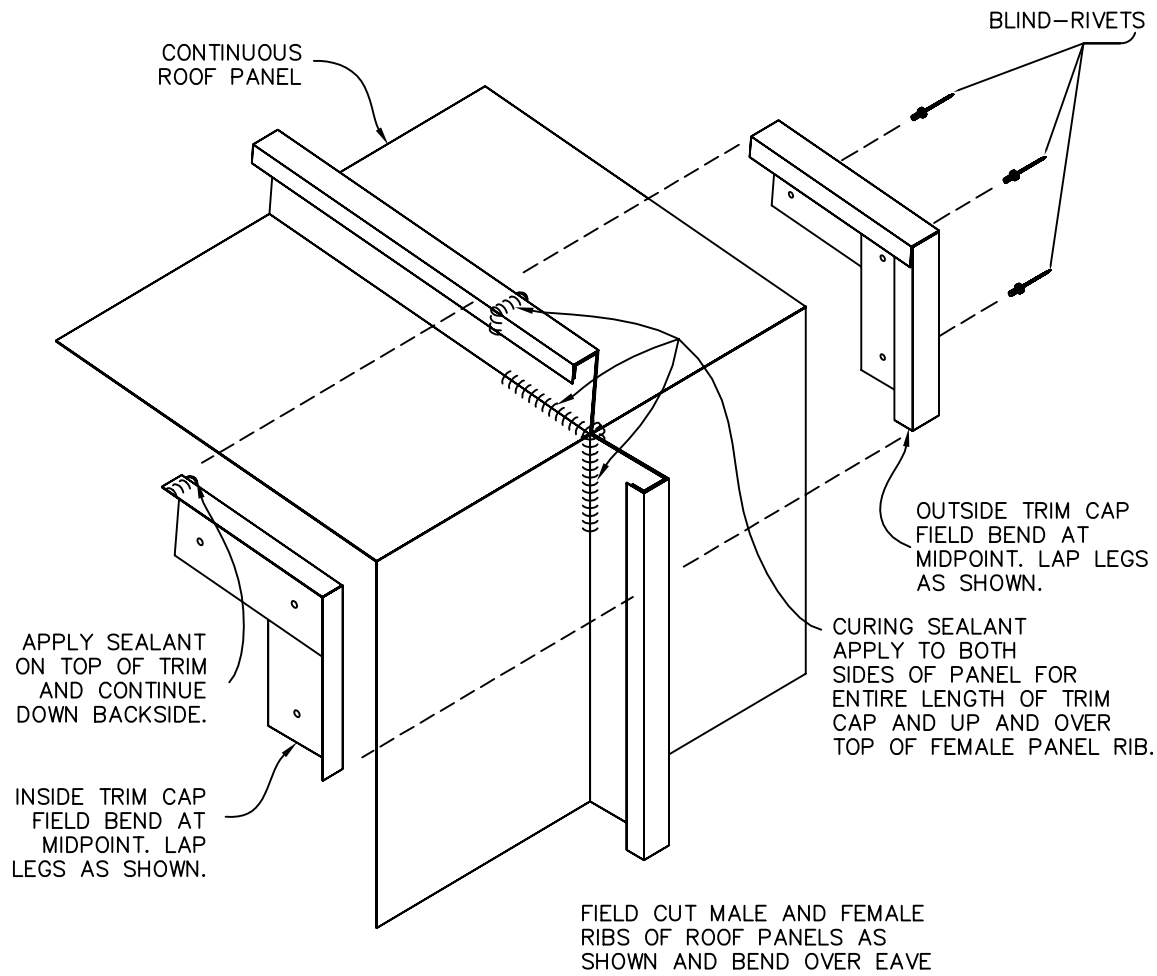


DESIGN CAUTION:  
 ROOF SLOPE TRANSITIONS  
 SUCH AS FASCIAS MAY  
 ESTABLISH AN UNWANTED  
 POINT OF PANEL FIXITY.



APPLY SEALANT  
 ON TOP OF TRIM  
 AND CONTINUE  
 DOWN BACKSIDE.

INSIDE TRIM CAP  
 FIELD BEND AT  
 MIDPOINT. LAP  
 LEGS AS SHOWN.

CURING SEALANT  
 APPLY TO BOTH  
 SIDES OF PANEL FOR  
 ENTIRE LENGTH OF TRIM  
 CAP AND UP AND OVER  
 TOP OF FEMALE PANEL RIB.

FIELD CUT MALE AND FEMALE  
 RIBS OF ROOF PANELS AS  
 SHOWN AND BEND OVER EAVE

APPLY NON-SKINNING BUTYL SEALANT  
 BETWEEN PANELS AT FIELD CUT.  
 REFER TO EAVE DETAIL FOR  
 LOCATION OF SEALANT. BEADS  
 REQUIRED ON BOTH SIDES OF CUT.



SPAN-LOK hp



RIB COVER

SLHP3D4