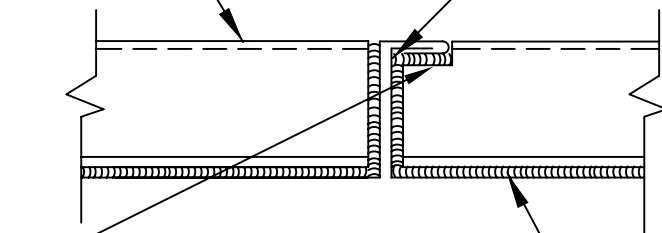


FIELD NOTCH
ZEE CLOSURE
AT RIB

NON-SKINNING BUTYL
SEALANT APPLIED TO
ENDS OF ZEE CLOSURE

INSTALLATION NOTE:
CLOSE HEM OF PANELS
WITH DUCK BILLS TO
ALLOW NOTCHED ZEE
CLOSURE TO FIT
TIGHTLY TO PANEL



SECTION X-X

3/16"x7/8" BUTYL TAPE

CONSTRUCTION SEALANT
(NOT BY AEP-SPAN)

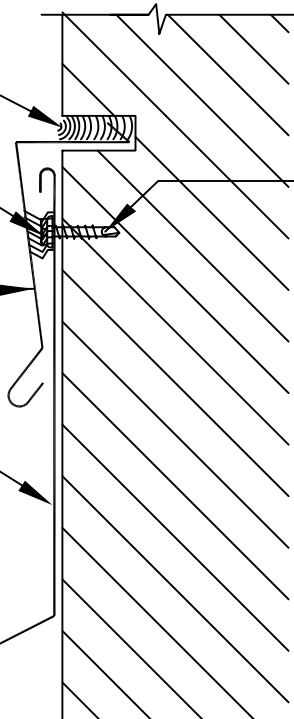
CONTINUOUS 3/8"
BEAD NON-SKINNING
BUTYL SEALANT

REGLET FLASHING

HEAD WALL FLASHING

3/16"x7/8"
CONT. BUTYL TAPE

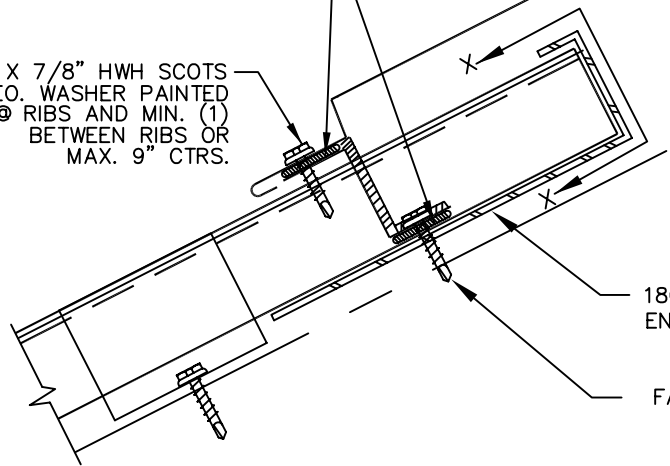
ENGINEERED
FASTENER
(NOT BY AEP-SPAN)



1/4-14 X 7/8" HWH SCOTS
W/NEO. WASHER PAINTED
@ RIBS AND MIN. (1)
BETWEEN RIBS OR
MAX. 9" CTRS.

18GA. CONT PANEL
END SUPPORT

FASTENER AS REQUIRED



SPAN-LOK

HEAD WALL - FLOATING

SL-11