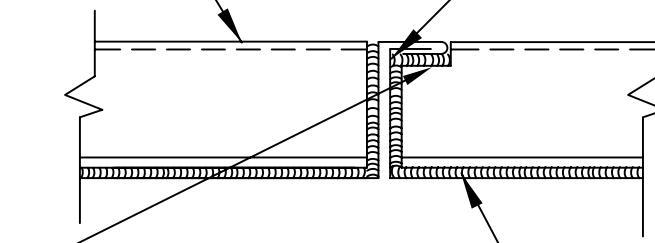


FIELD NOTCH
ZEE CLOSURE
AT RIB

NON-SKINNING BUTYL
SEALANT APPLIED TO
ENDS OF ZEE CLOSURE

INSTALLATION NOTE:
CLOSE HEM OF PANELS
WITH DUCK BILLS TO
ALLOW NOTCHED ZEE
CLOSURE TO FIT
TIGHTLY TO PANEL



SECTION X-X

3/16"x7/8"
BUTYL TAPE

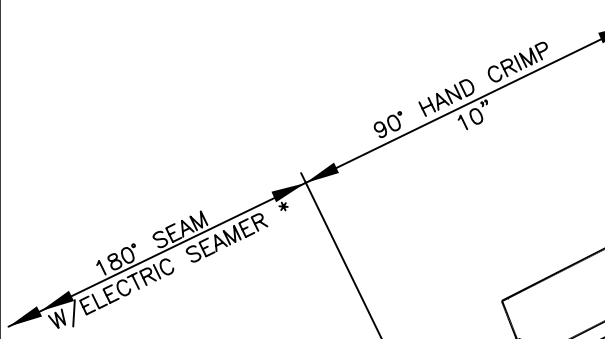
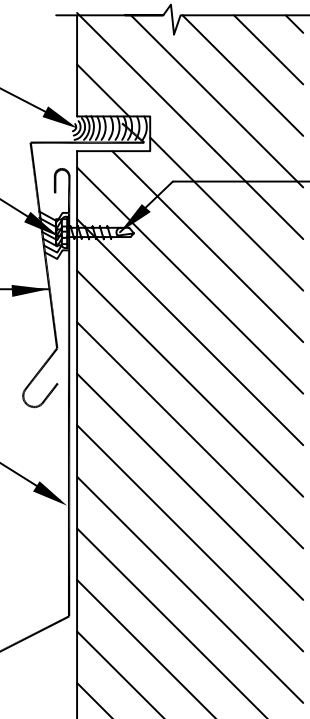
CONSTRUCTION SEALANT
(NOT BY AEP-SPAN)

CONTINUOUS 3/8"
BEAD NON-SKINNING
BUTYL SEALANT

REGLET FLASHING

HEAD WALL FLASHING

ENGINEERED
FASTENER
(NOT BY AEP-SPAN)



1/4-14 X 7/8" HWH SCOTS
W/NEO. WASHER PAINTED
© RIBS AND MIN. (1)
BETWEEN RIBS OR
MAX. 9" CTRS.

18GA. CONT PANEL
END SUPPORT

3/16"x7/8"
CONT. BUTYL TAPE

FASTENER AS REQUIRED

* - FIRST 10" OF PANEL DOWNHILL OF HEAD WALL FLASHING WILL
NEED TO BE 180° HAND CRIMPED TO GET SEAMER ON/OFF



SPANSEAM



HEAD WALL - FLOATING

SPS-11