

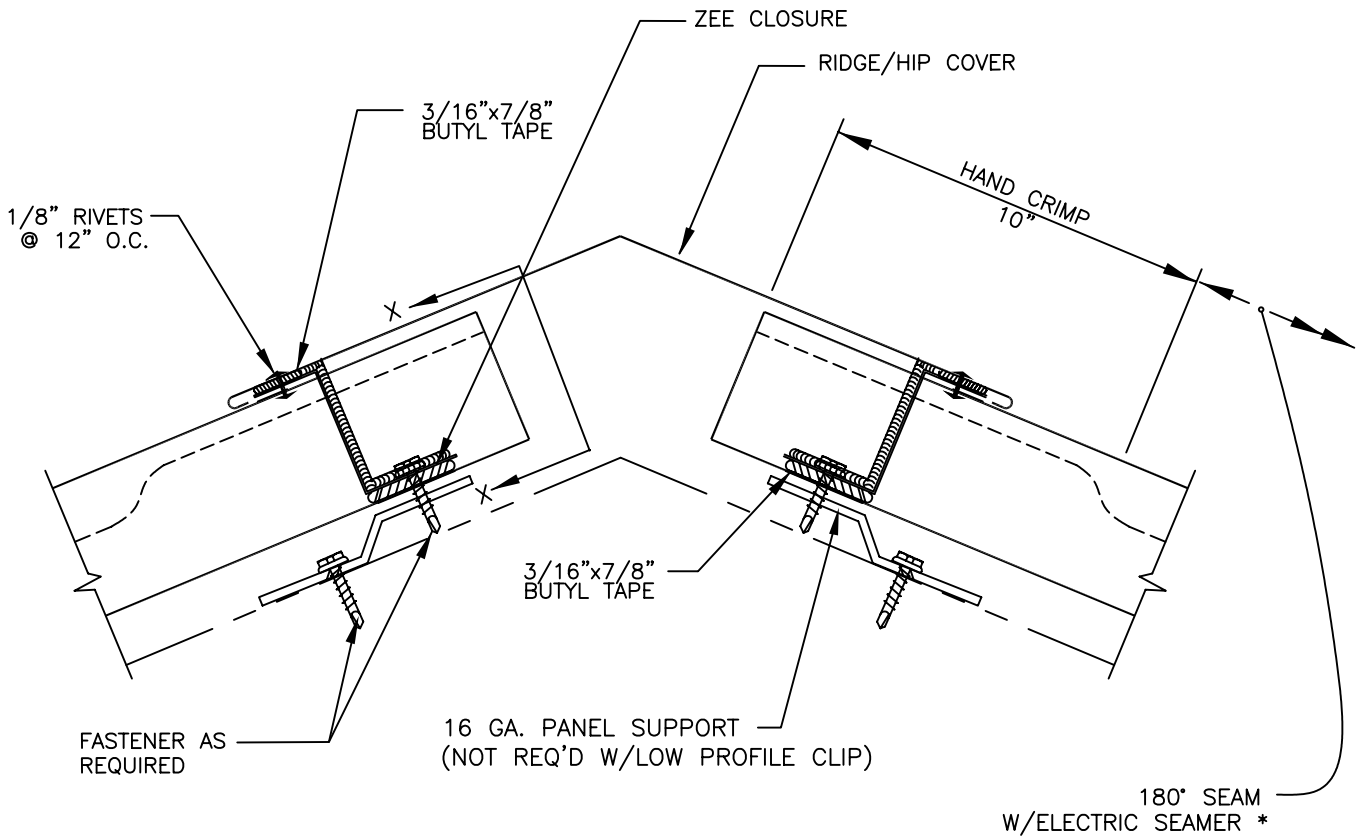
FIELD NOTCH
ZEE CLOSURE
AT RIB

NON-SKINNING BUTYL
SEALANT APPLIED TO
ENDS OF ZEE CLOSURE

INSTALLATION NOTE:
CLOSE HEM OF PANELS
WITH DUCK BILLS TO
ALLOW NOTCHED ZEE
CLOSURE TO FIT
TIGHTLY TO PANEL

SECTION X-X

3/16"x7/8" BUTYL TAPE



* - FIRST 10" OF PANEL DOWNHILL OF RIDGE/HIP FLASHING WILL
NEED TO BE 180° HAND CRIMPED TO GET SEAMER ON/OFF

