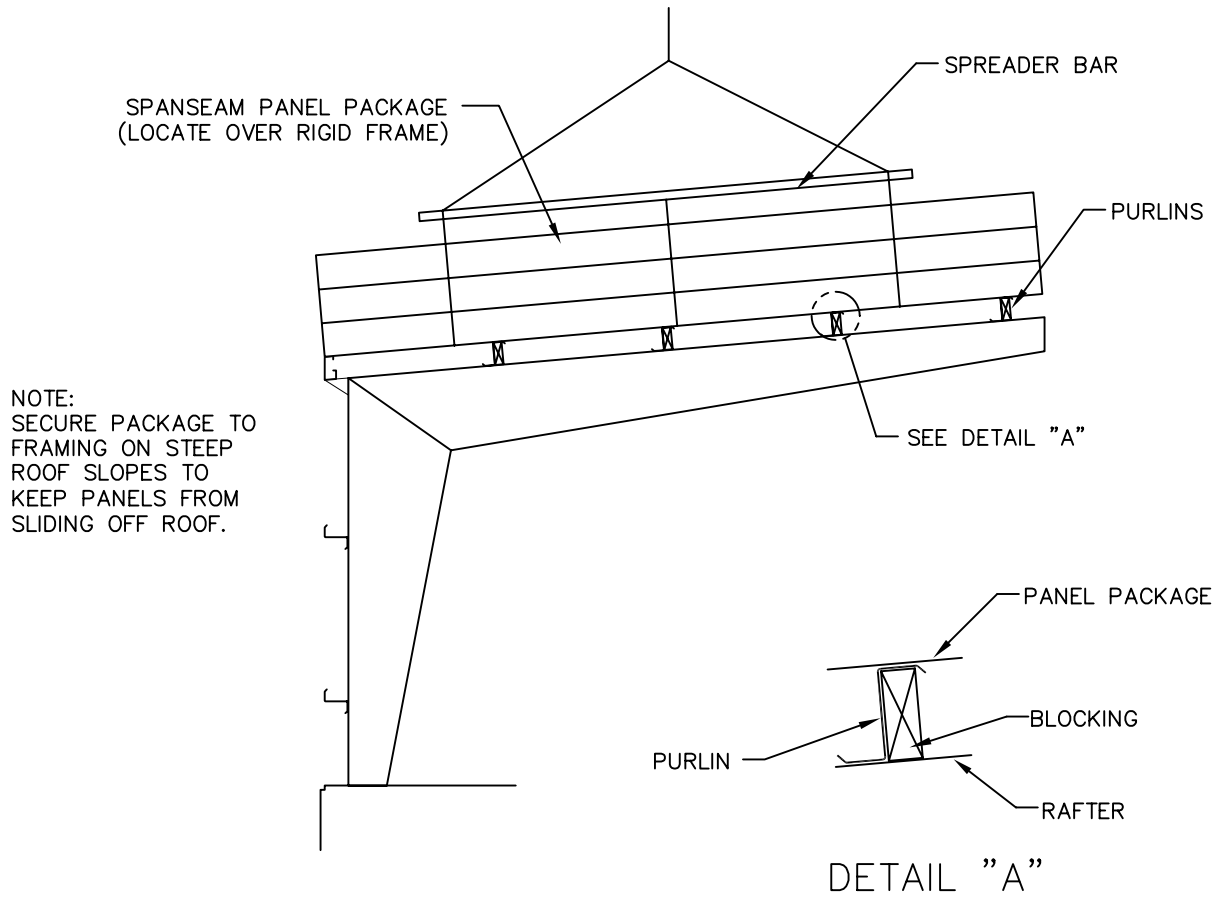


IT IS IMPERATIVE THAT THE FRAMING BE PLUMB AND SQUARE BEFORE INSTALLING ANY SPANSEAM ROOF PANELS.



TO FACILITATE THE HANDLING OF SPANSEAM PANELS, PANEL PACKAGES CAN BE LIFTED AND PLACED ON THE ROOF IF LOCATED AT A RIGID FRAME AND WITH BLOCKING PLACED TO PREVENT THE PURLINS FROM ROLLING OVER.

WHEN LIFTING PACKAGED SHEETS, MAKE CERTAIN THAT THEY ARE ADEQUATELY SUPPORTED, PANELS LESS THAN 20' IN LENGTH CAN NORMALLY BE LIFTED WITH A FORKLIFT: WHEN LIFTING PANELS IN EXCESS OF 20', IT IS RECOMMENDED THAT A SPREADER BAR AND SLINGS BE USED. AS A RULE WHEN LIFTING, NO MORE THAN 1/3 OF THE LENGTH OF THE PANEL SHOULD BE LEFT UNSUPPORTED, AND NO MORE THAN 8' SHOULD BE CANTILEVERED BEYOND SPREADER BARS.

