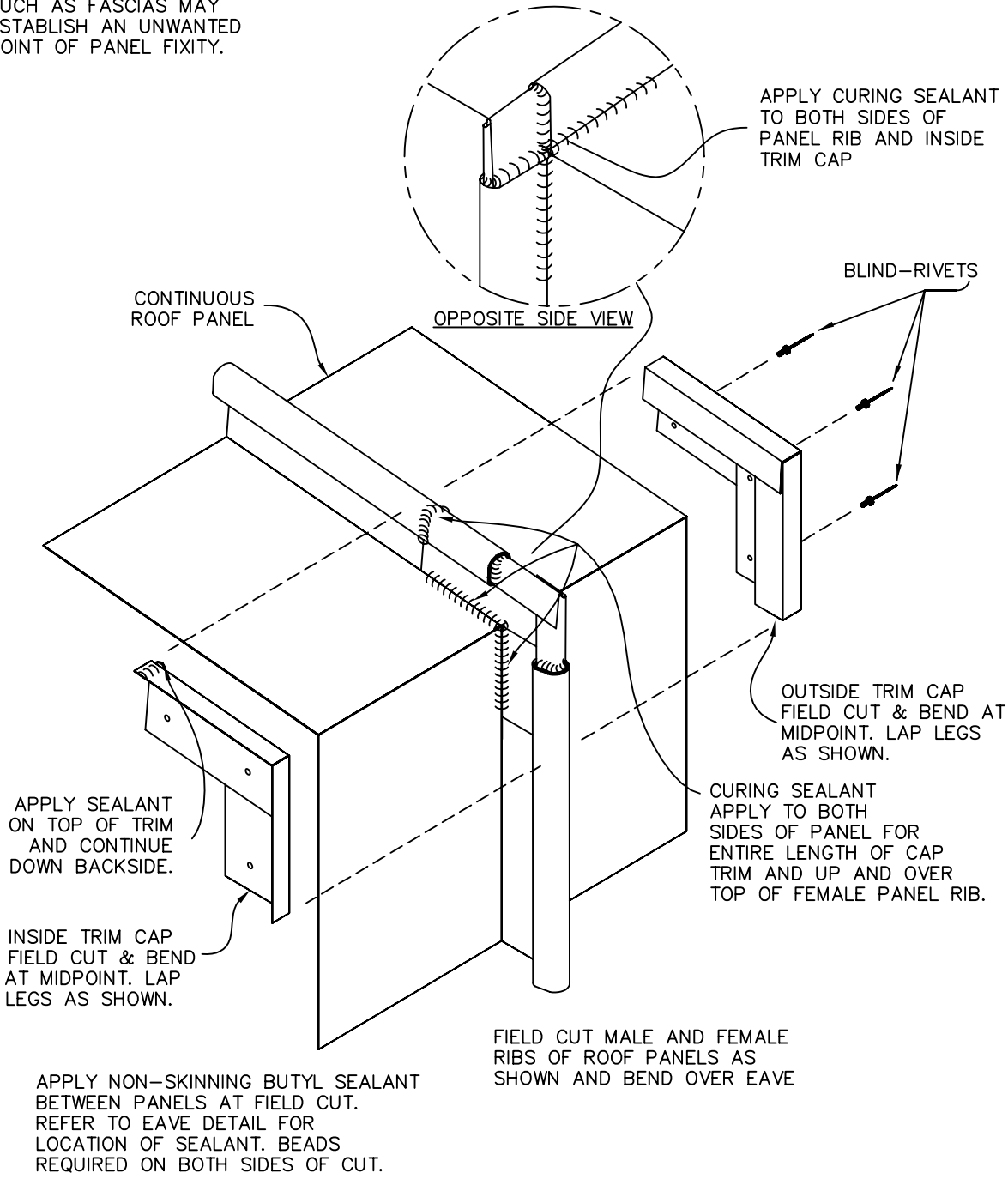


**DESIGN CAUTION:**  
 ROOF SLOPE TRANSITIONS  
 SUCH AS FASCIAS MAY  
 ESTABLISH AN UNWANTED  
 POINT OF PANEL FIXITY.



# SPANSEAM



# RIB COVER

SPS3D4