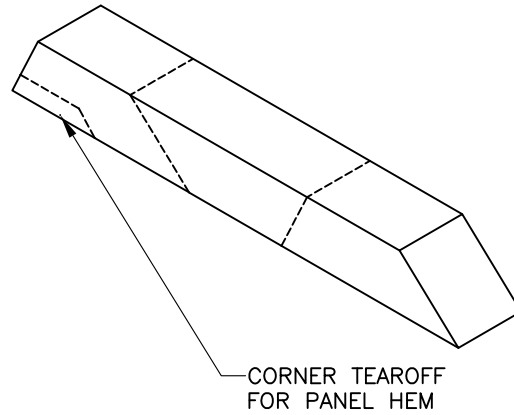


CLTW-12BP

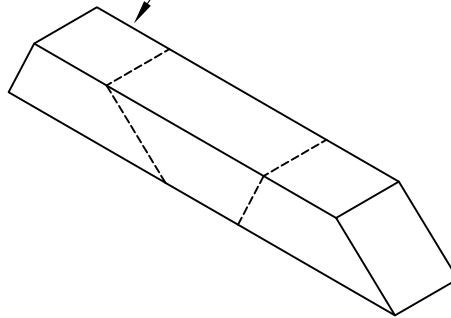


BOTTOM SIDE CLOSURE

CORNER TEAROFF
FOR PANEL HEM

TEAROFF PERFORATED PLUG
SECTIONS TO FILL PANEL
REVEALS AS REQUIRED

CLTW-12TP

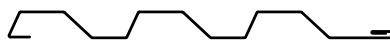


TOP SIDE CLOSURE

NOTE: APPLICATIONS UTILIZING STANDOFF CLIP ALSO REQUIRE
UNIVERSAL CLOSURE STRIP (AEP #CLEM1x19.68 OR EQUIV.) TO
SEAL OFF ADDITIONAL 1/2" PANEL-TO-SUBSTRATE GAP.



TW-12
HORIZONTAL INSTALL.



PANEL CLOSURES

TWH-03