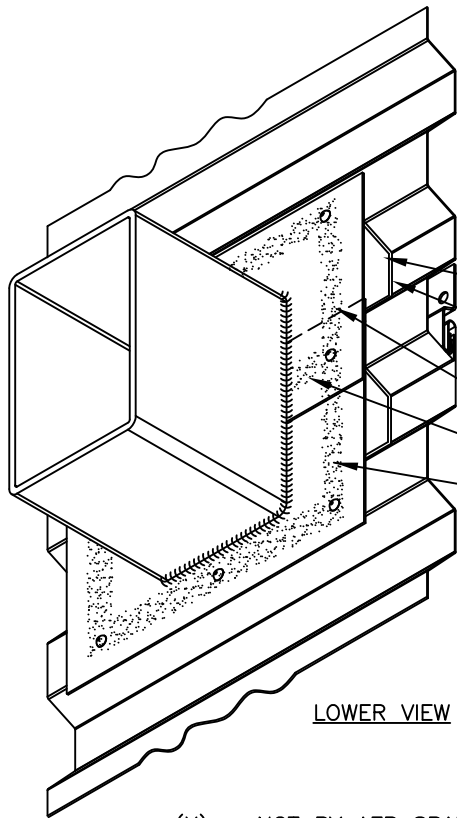
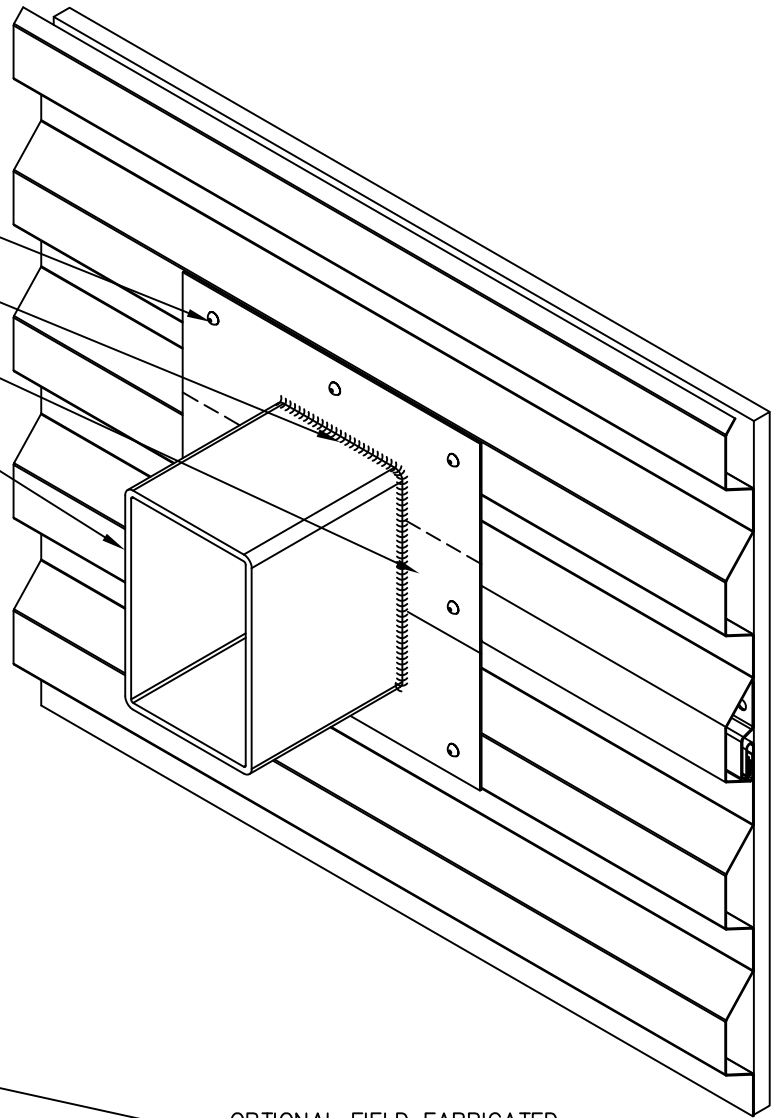


TRIM FASTENER W/SEALING  
WASHER, OR RIVET

SEALANT

OVERLAP UPPER/LOWER  
FLASHINGS

WALL PENETRATION



OPTIONAL FIELD FABRICATED  
CLOSURE COVER TRIM (X)

OUTSIDE CLOSURE (SEALED &  
SECURED WITH SEALANT)

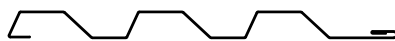
SEAL PERIMETER OF FLASHINGS AND  
ALL TRIM OVERLAPS WITH A  
CONTINUOUS BEAD OF NON-  
SKINNING BUTYL TAPE OR SEALANT

LOWER VIEW

(X) - NOT BY AEP SPAN



**TW-12**  
HORIZONTAL INSTALL.



WALL PENETRATION (3D)

TWH-17