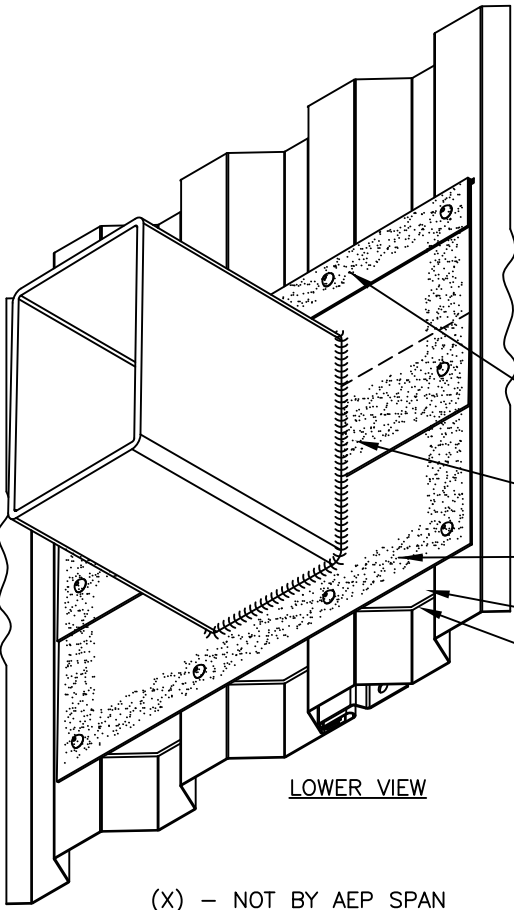
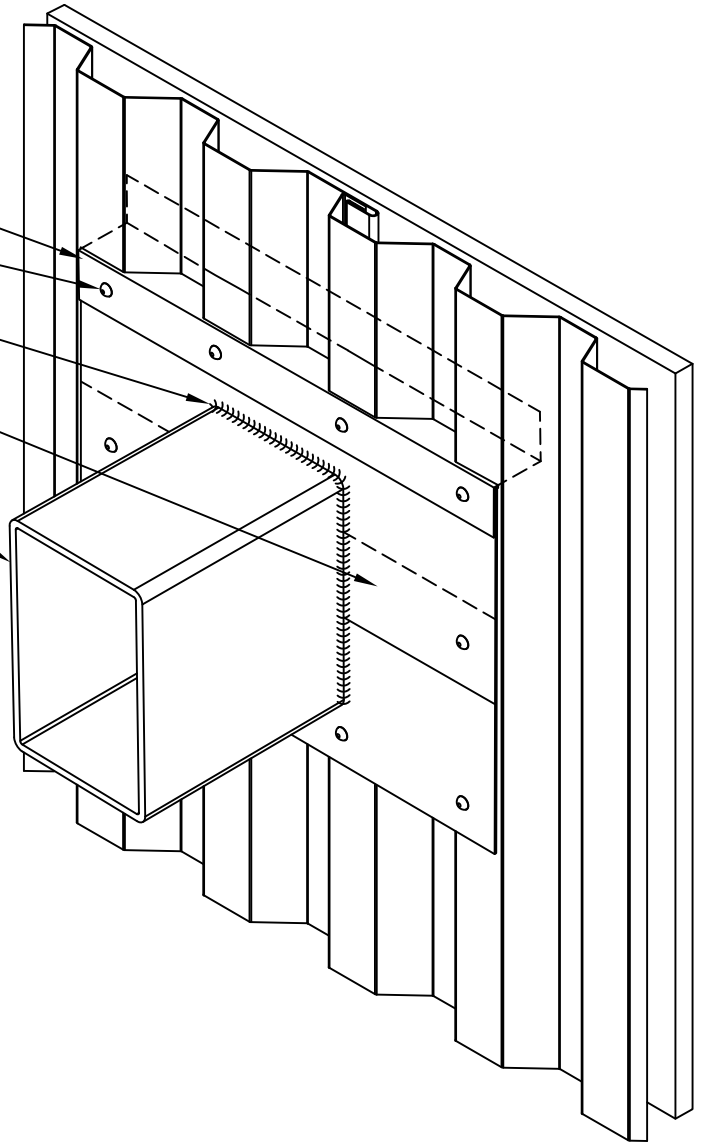


DRIP FLASHING
 TRIM FASTENER W/SEALING
 WASHER, OR RIVET
 SEALANT
 OVERLAP UPPER/LOWER
 FLASHINGS
 WALL PENETRATION



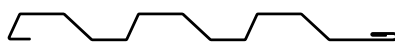
SEAL PERIMETER OF FLASHINGS AND
 ALL TRIM OVERLAPS WITH A
 CONTINUOUS BEAD OF NON-
 SKINNING BUTYL TAPE OR SEALANT
 OPTIONAL FIELD FABRICATED
 CLOSURE COVER TRIM (X)
 OUTSIDE CLOSURE (SEALED &
 SECURED WITH SEALANT)

LOWER VIEW

(X) - NOT BY AEP SPAN



TW-12
 VERTICAL INSTALL.



WALL PENETRATION (3D)

TWV-17