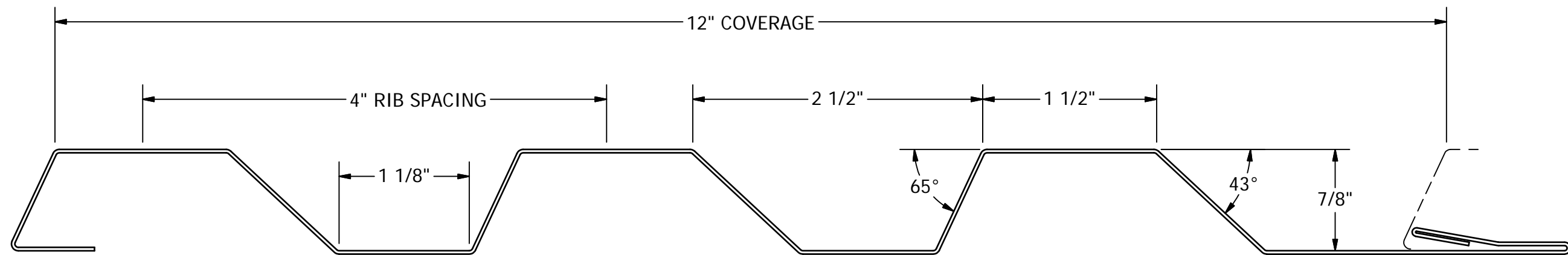
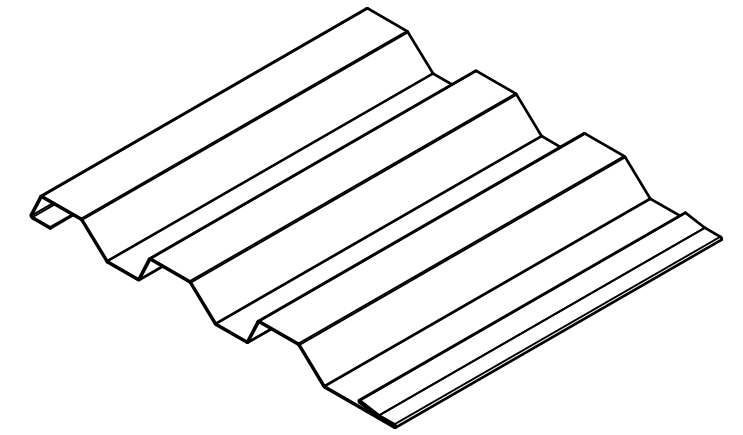

 2110 Enterprise Blvd. West Sacramento, CA 95691-3428 USA	SCALE	---		
	DRAWN			
	DATE	5/19/2016		
	CHECKED			
	DATE			
TITLE / PART NAME		TW-12c (CLIP ATTACHED)		
PROJECT / PRODUCT LINE		SALES PRINT		
PART I.D.	REVISION	SHEET		
TW-12c	-	1 OF 1		

Copyright: The design and print is the property of ASC Profiles and must not be used, reproduced or copied, wholly or in part, without written permission from the company. Supply of this design and print represents a confidential communication between the company and recipient.



	SCALE	---			
	DRAWN				
2110 Enterprise Blvd. West Sacramento, CA 95691-3428 USA	DATE	5/19/2016			
	CHECKED				
		TITLE / PART NAME		TW-12d (DIRECT FASTENED)	
		PROJECT / PRODUCT LINE		SALES PRINT	
		PART I.D.	REVISION	SHEET	
		TW-12d	-	1 OF 1	

Copyright: The design and print is the property of ASC Profiles and must not be used, reproduced or copied, wholly or in part, without written permission from the company. Supply of this design and print represents a confidential communication between the company and recipient.