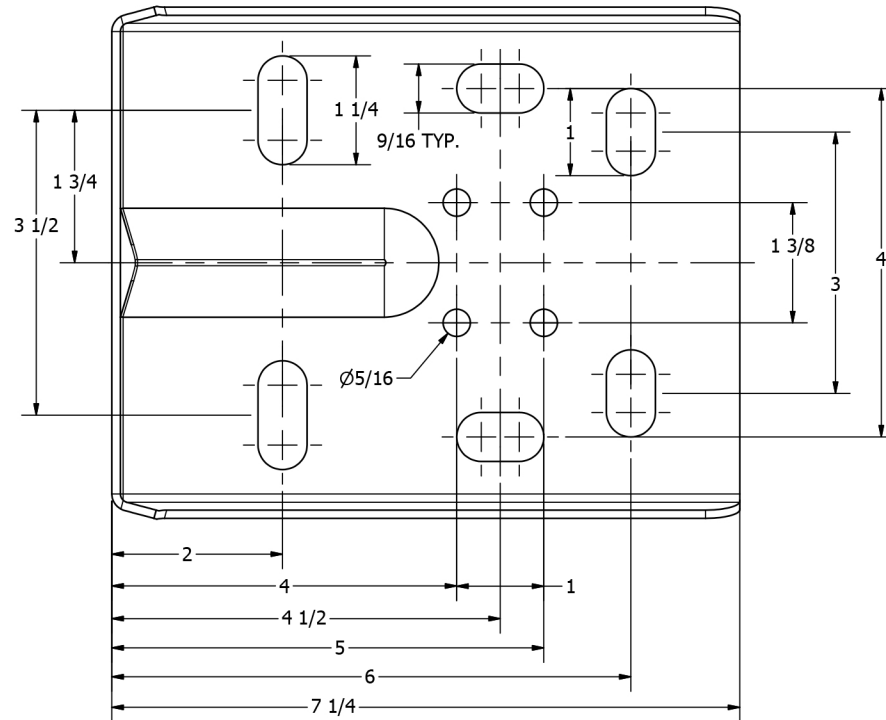
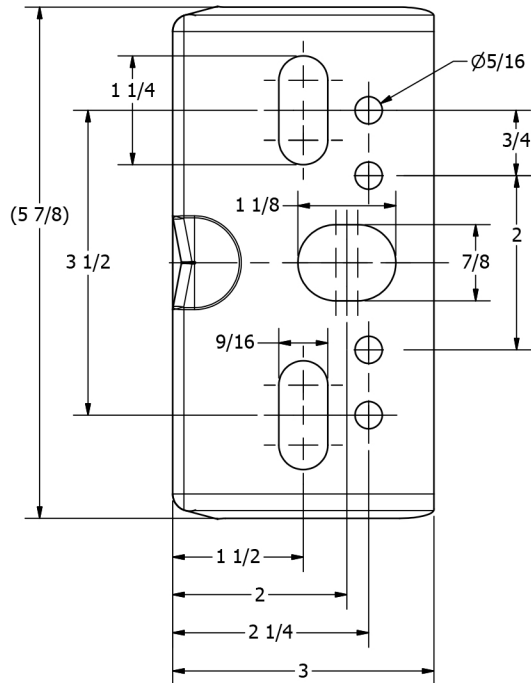
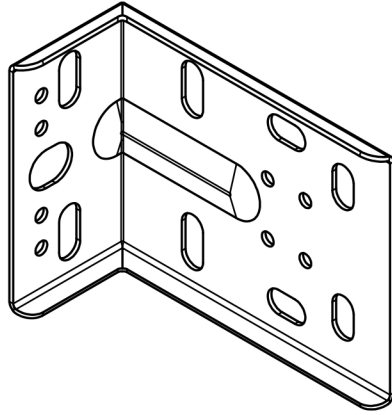


Purlin Clip (#CLPC/Z)



NOTES:

- 1) MATERIAL: NOMINAL 12GA (.098"), 40KSI YIELD, G90 GALVANIZED.
- 2) PART WEIGHT: 1.68LBS