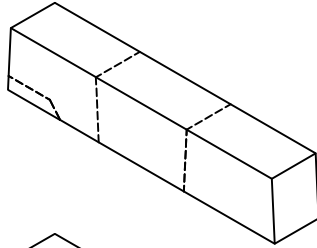
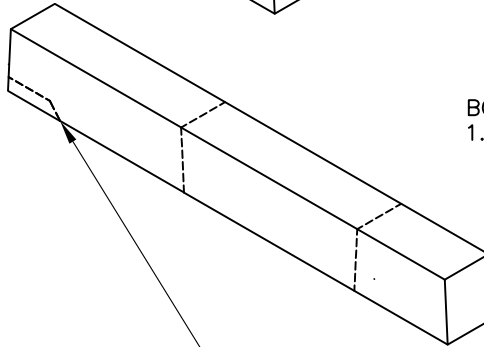


CL1.2FX-1P



TOP SIDE CLOSURE FOR ALL PANELS &
BOTTOM SIDE CLOSURE FOR 1.2FX10-12
& 1.2FX30-12

CL1.2FX-2P

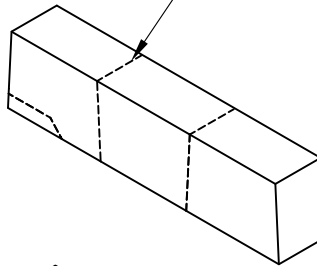


BOTTOM SIDE CLOSURE FOR
1.2FX20-12 & 1.2FX40-12

CORNER TEAROFF
FOR PANEL HEM

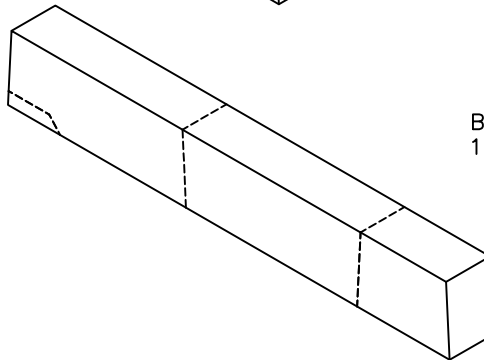
TEAROFF PERFORATED PLUG
SECTIONS TO FILL PANEL
REVEALS AS REQUIRED

CL1.5FX-1P



TOP SIDE CLOSURE FOR ALL PANELS.
BOTTOM SIDE CLOSURE FOR 1.5FX10-12
& 1.5FX30-12

CL1.5FX-2P



BOTTOM SIDE CLOSURE FOR
1.5FX20-12 & 1.5FX40-12

NOTE: APPLICATIONS UTILIZING STANDOFF CLIP ALSO REQUIRE
UNIVERSAL CLOSURE STRIP (AEP #CLEM1x19.68 OR EQUIV.) TO
SEAL OFF ADDITIONAL 1/2" PANEL-TO-SUBSTRATE GAP.



FLEX SERIES
HORIZONTAL INSTALL.



PANEL CLOSURES

FXH-03