



## **Flush Panel**

(Vertical Install.)  
Installation Guide

# Flush Panel

(Vertical Install.)  
Installation Guide

## - Table of Contents -

<b>Section</b>	<b>Page</b>
<i>General Notes</i> .....	<i>i</i>
<i>Panel Options</i> .....	<i>1</i>
<i>Panel Details</i> .....	<i>2</i>
<i>Base</i> .....	<i>3</i>
<i>Sill</i> .....	<i>4</i>
<i>End Wall</i> .....	<i>5</i>
<i>Outside Corner</i> .....	<i>6</i>
<i>Inside Corner</i> .....	<i>7</i>
<i>Soffit (Front)</i> .....	<i>8</i>
<i>Soffit (Back)</i> .....	<i>9</i>
<i>Soffit End Splice</i> .....	<i>10</i>
<i>End Splice (w/Trim)</i> .....	<i>11</i>
<i>Parapet</i> .....	<i>12</i>
<i>Door/Window (Head)</i> .....	<i>13</i>
<i>Door/Window (Jamb)</i> .....	<i>14</i>
<i>Door/Window (Sill)</i> .....	<i>15</i>
<i>Wall Penetration (3D)</i> .....	<i>16</i>
<i>Wall Penetration</i> .....	<i>17</i>
<i>Rigid Insulation</i> .....	<i>18</i>

## General Notes

The attached installation details are intended to be a design aid and do not depict all situations. Modifications are the responsibility of the designer/user and should take into account climate conditions such as wind and snow, governing code requirements, and the actual usage and maintenance of the structure.

### Applications:

Flush Panel is designed to be a soffit panel, but can also be utilized as a wall panel installed in the vertical or horizontal orientation. It shall not be utilized for roof applications. Flush Panel can be used over solid substrates or over spaced supports. This installation guide depicts panels installed over solid substrate. Details for panels installed over spaced supports would be similar.

### Flashings:

Where possible, flashings should be lapped away from prevailing winds. Certain flashings should be supported if it is likely that equipment (ladder, etc.) will be used against them. Check with AEP Span any time you intend to specify a prefinished flashing in a gauge or finish different than with Flush Panel. It is good practice to specify that all flashings be of the same material (gauge, color, finish) as the roof panels to ensure long-term durability. Field-painted flashings rarely equal the durability and colorfastness of factory baked-on paint systems. The enclosed details have minimized the use of exposed fasteners where possible. The edges of flashings have also been shown hemmed to strengthen and to minimize the exposure of cut edges.

Flashing design and fabrication is generally the responsibility of the contractor. For convenience, we have provided some typical flashing drawings on our website at <http://www.aepspan.com/roof/prodDetailad08.html?id=35>. Applicable Flush Panel flashing part numbers are referenced within this installation guide. Note that flashing shapes and dimensions may vary greatly based on project requirements. Installation details and flashings referenced within are for general design guidance only.

### Condensation, Insulation, & Ventilation:

It is the designer's responsibility to determine the need and composition of condensation control materials including insulation and vapor retarders, as well as ventilation requirements. Metal wall products are susceptible to condensation and its control should be carefully considered.

### Thermal Movement:

Both panels and flashings must allow for thermal movement (expansion and contraction) of the materials, especially where long lengths are used. Appropriate gaps or other provisions must be provided to accommodate thermal movement.

### Oil Canning:

Flat metal surfaces often display waviness commonly referred to as 'oil canning'. This can be caused by variations in raw material, processing variations, product handling, or variations in the installation substrate. Oil canning is a characteristic, not a defect, of panels manufactured from light-gauge metal. To reduce potential for oil canning, substrates should not deviate from a flat plane more than 1/4 inch in 20 feet, or 1/8 inch in 5 feet. Oil canning is not a cause for panel rejection. Additional technical information is available upon request.

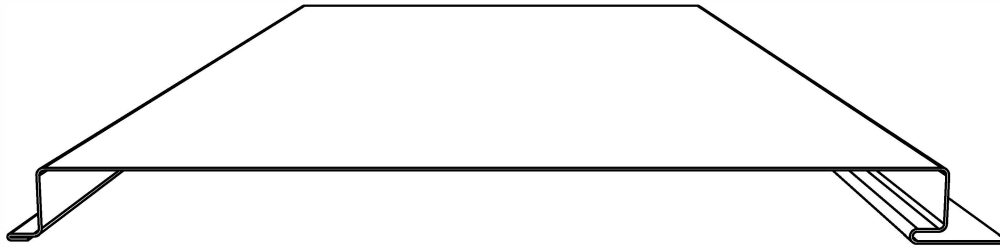
### References:

The Sheet Metal and Air Conditioning Contractors' National Association Inc. (SMACNA) manual is an excellent reference for sheet metal contractors. It's guidelines for underlayments, gutter and downspout size requirements, and expansion/contraction of metals and flashing joints should be followed.

### Technical Assistance:

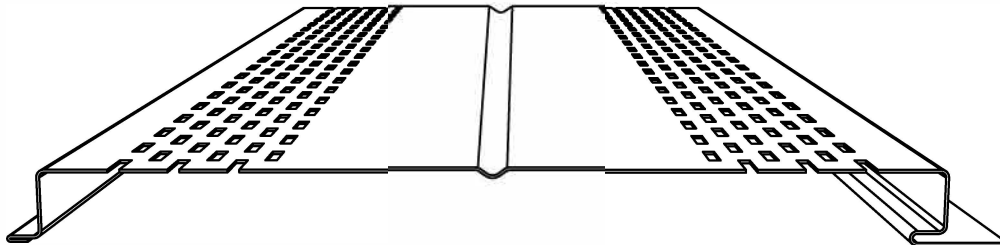
Contact your AEP Span Sales Representative for additional information.





FLUSH PANEL OPTIONS:

- FLAT FINISH
- 1 RIB (CENTERED)
- 2 RIBS (SPACED 4")



FLUSH PANEL (VENTED) OPTIONS:

- 7.8% OPEN AREA  
(11.23IN<sup>2</sup>/SQ-FT OPEN AREA)
- WITH 1 RIB (CENTERED)
- WITH 2 RIBS (SPACED 4")

AVAILABLE MATERIALS:

STEEL: 20, 22, 24, & 26GA

NOTE: 26GA PANELS REQUIRE 1 OR 2 RIBS.  
VENTED PANELS REQUIRE 1 OR 2 RIBS.

NOTE:  
PANEL OPTIONS  
SUBJECT TO CHANGE.

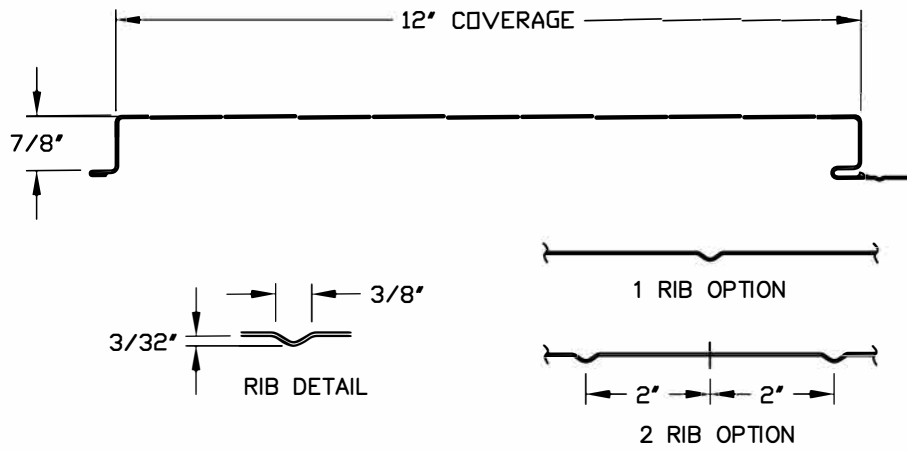


**FLUSH PANEL  
VERTICAL INSTALL.**

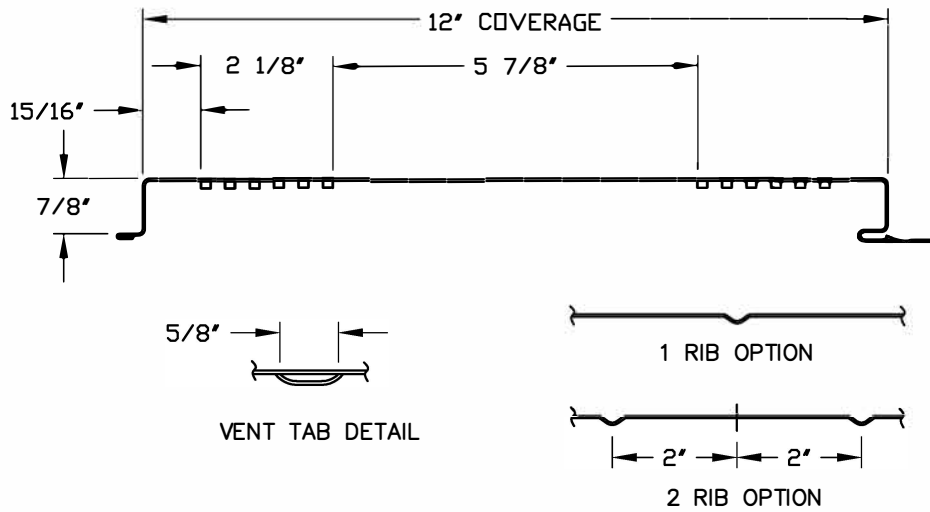


**PANEL OPTIONS**

**FPV-01**



FLUSH PANEL



VENTED FLUSH PANEL

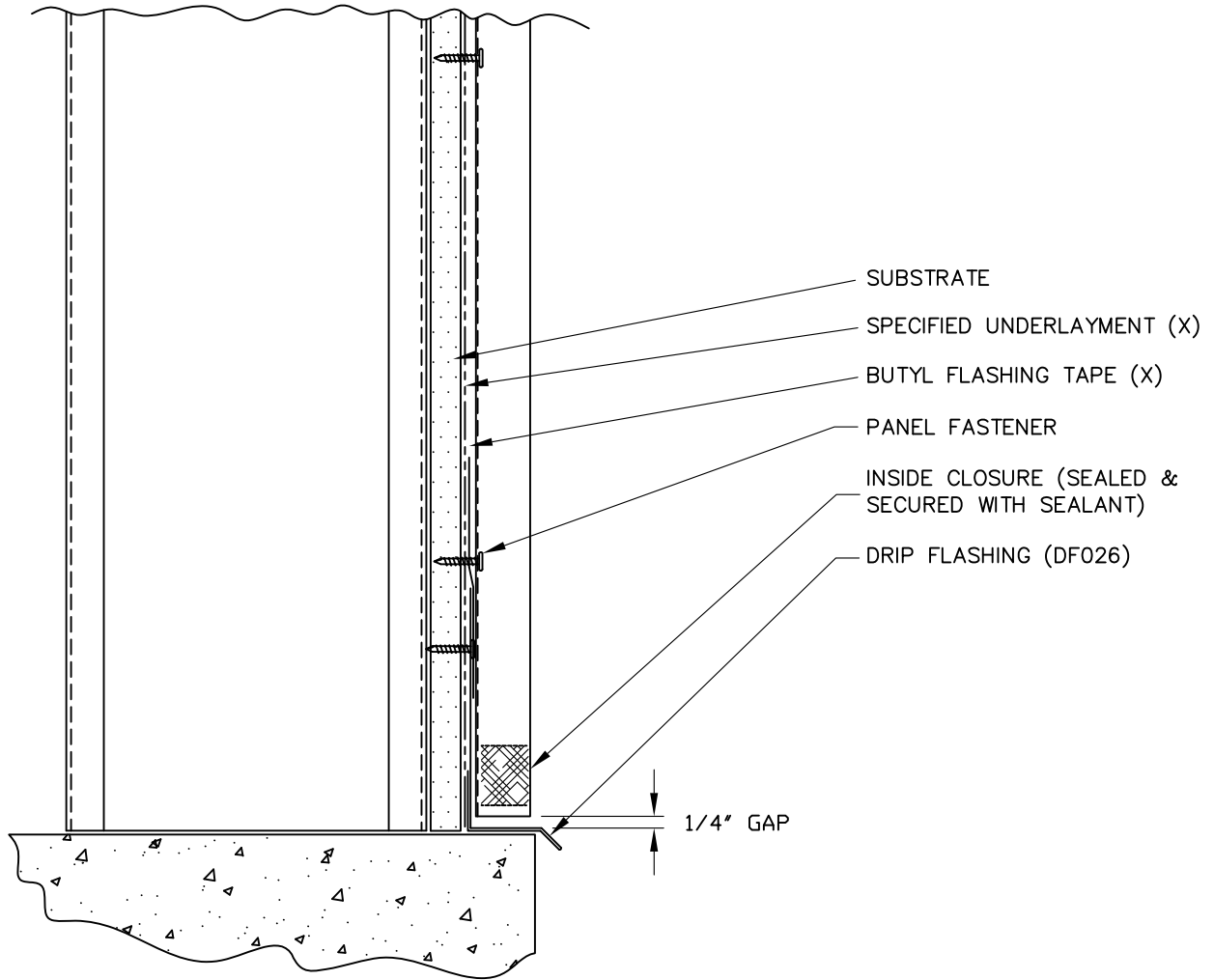
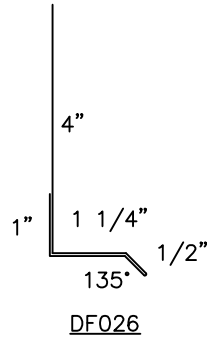


FLUSH PANEL  
VERTICAL INSTALL.



PANEL DETAILS

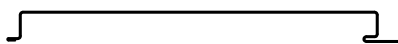
FPV-02



(X) - NOT BY AEP SPAN

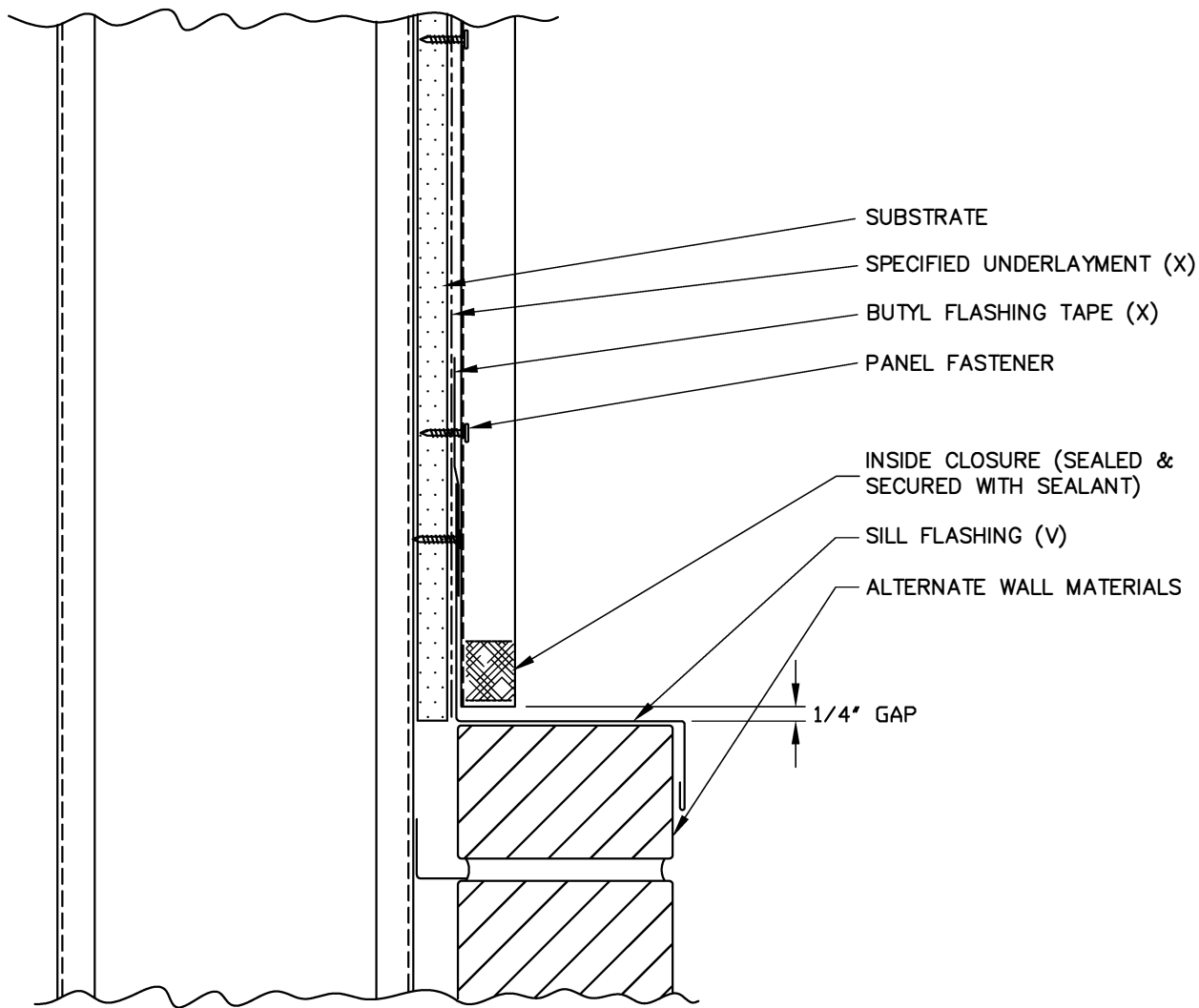


FLUSH PANEL  
VERTICAL INSTALL.



BASE

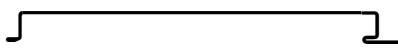
FPV-03



(X) - NOT BY AEP SPAN  
 (V) - DIMENSIONS VARY BASED ON PROJECT CONDITIONS

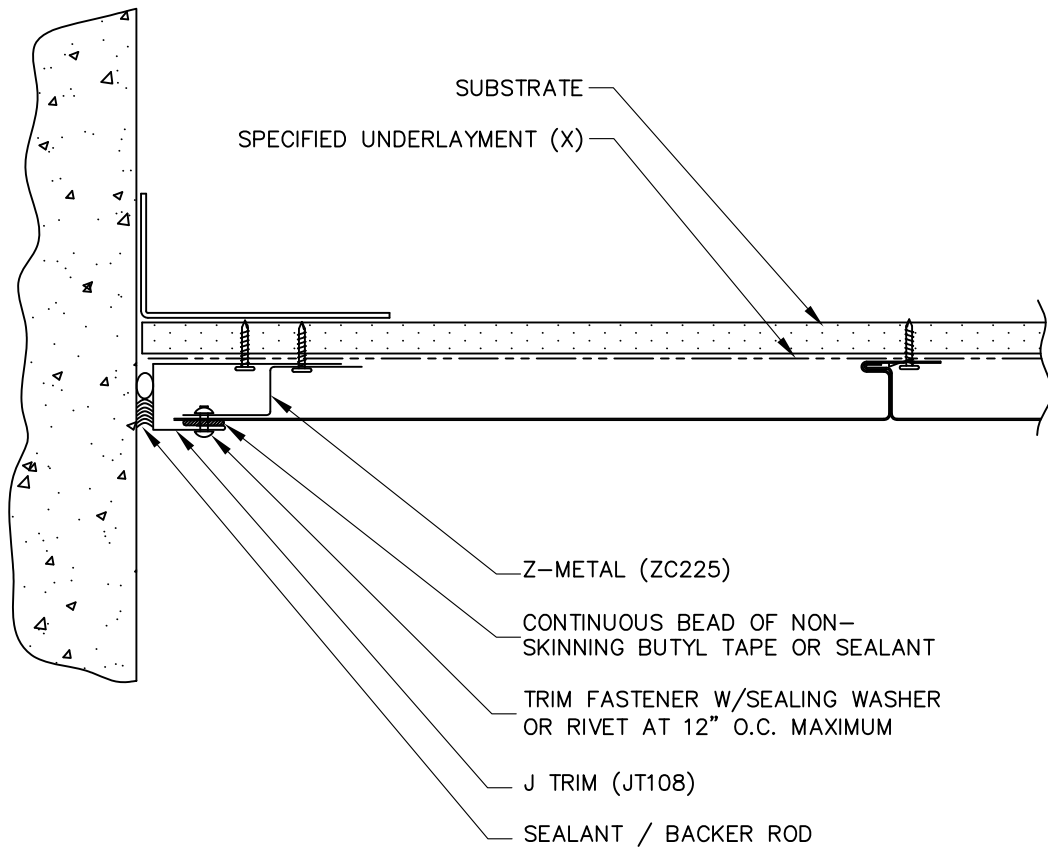
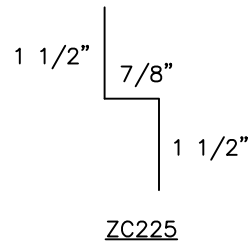
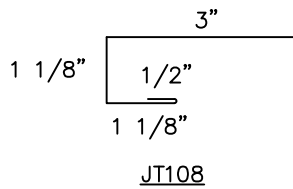


**FLUSH PANEL  
 VERTICAL INSTALL.**



SILL

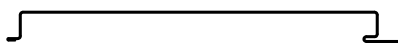
FPV-04



(X) - NOT BY AEP SPAN



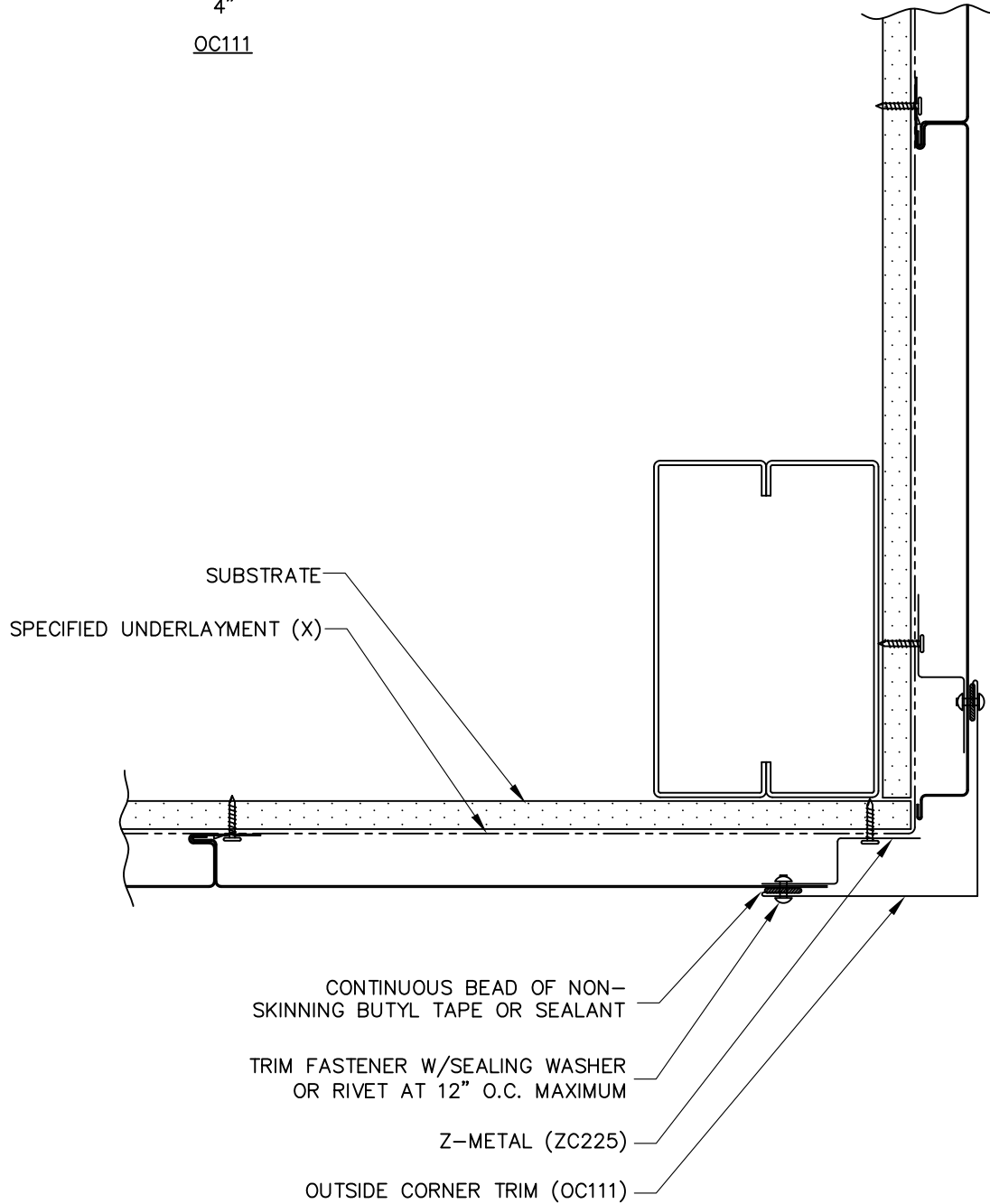
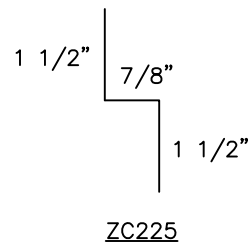
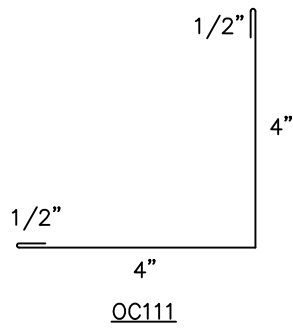
FLUSH PANEL  
VERTICAL INSTALL.



END WALL

FPV-05

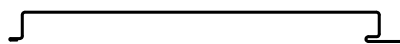




(X) - NOT BY AEP SPAN

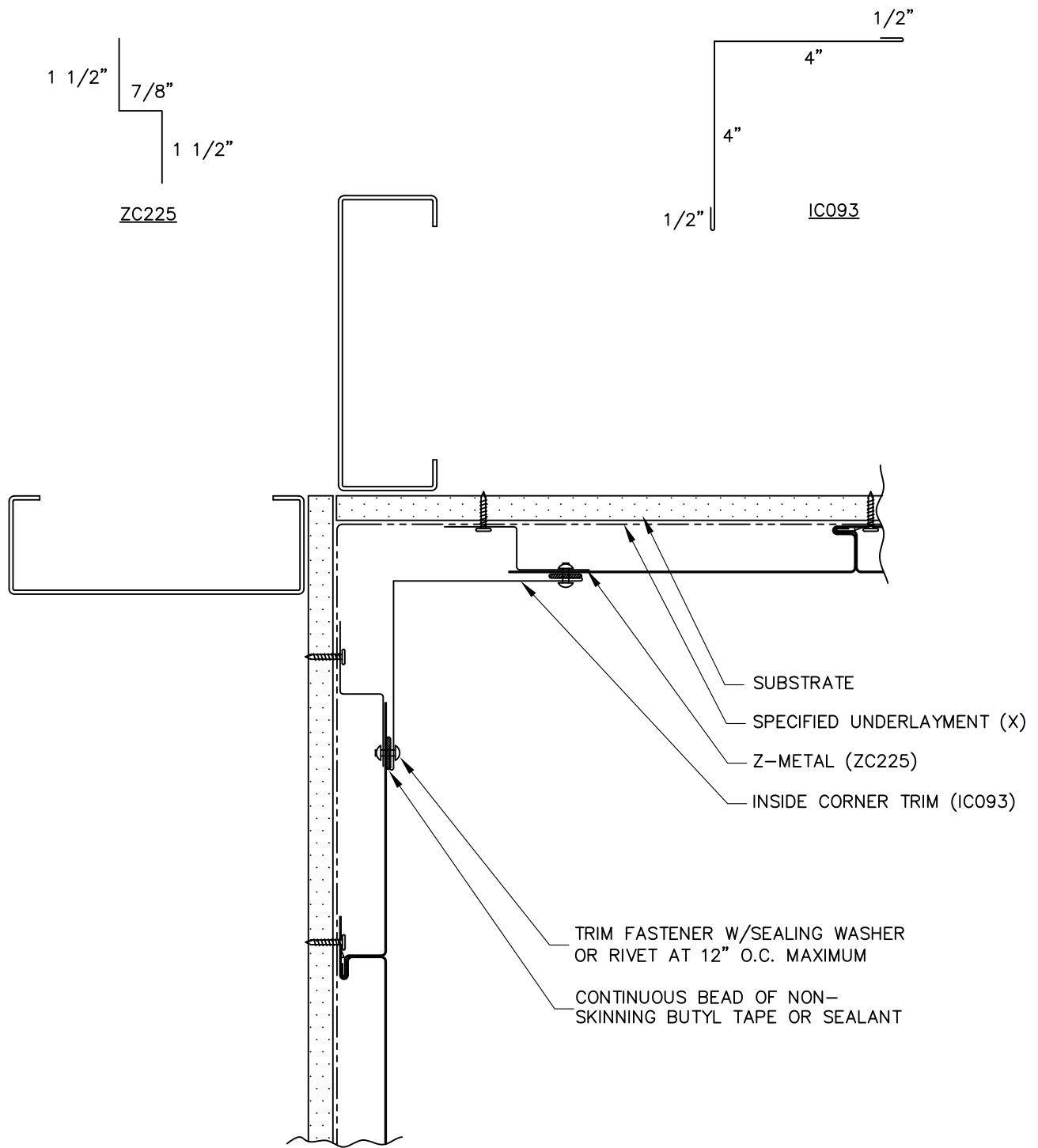


FLUSH PANEL  
VERTICAL INSTALL.



OUTSIDE CORNER

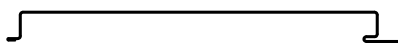
FPV-06



(X) - NOT BY AEP SPAN

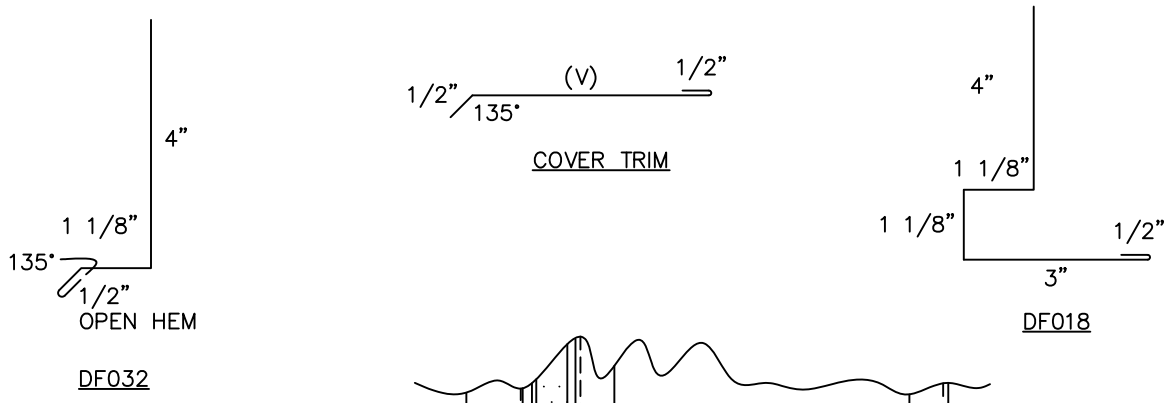


FLUSH PANEL  
 VERTICAL INSTALL.

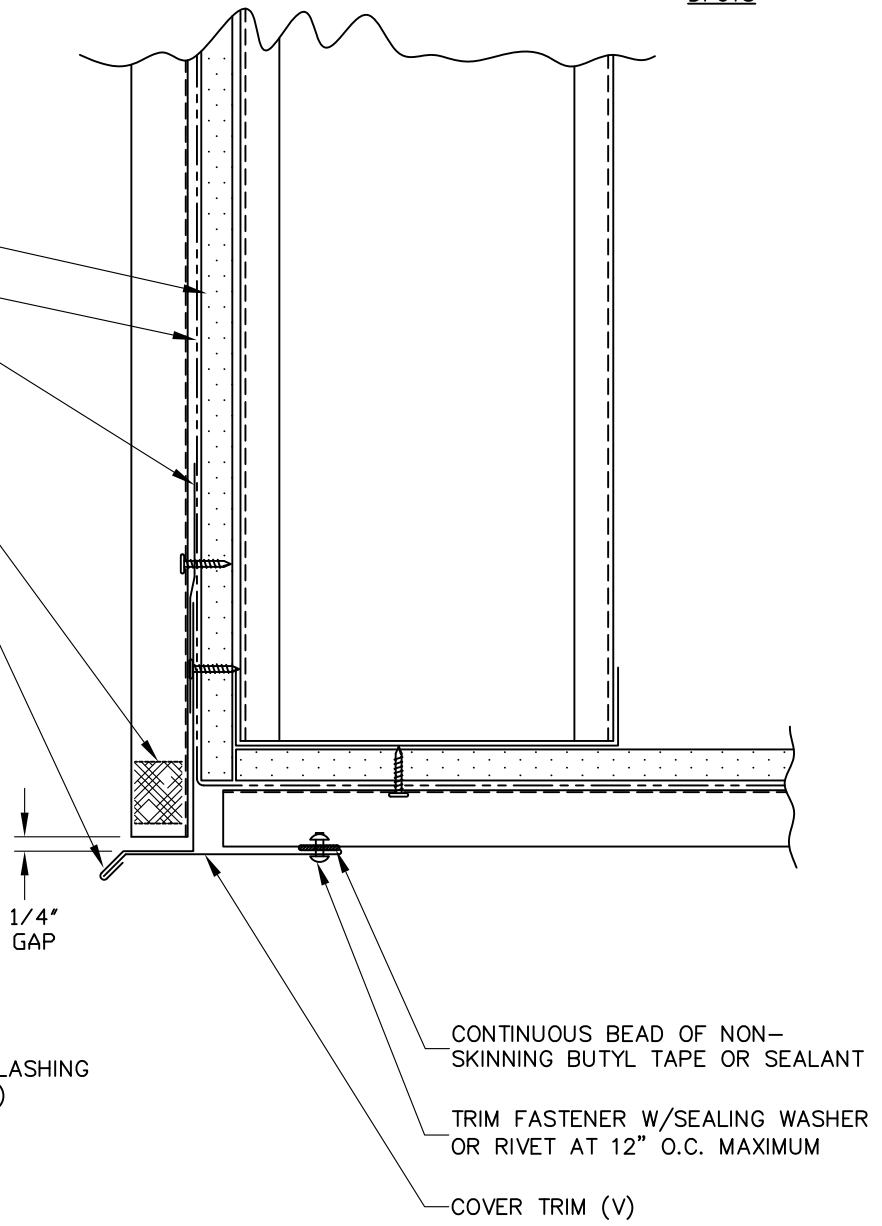
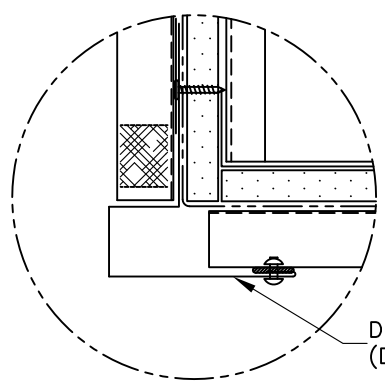


INSIDE CORNER

FPV-07



- SUBSTRATE
- SPECIFIED UNDERLAYMENT (X)
- BUTYL FLASHING TAPE (X)
- INSIDE CLOSURE (SEALED & SECURED WITH SEALANT)
- DRIP FLASHING (DF032)



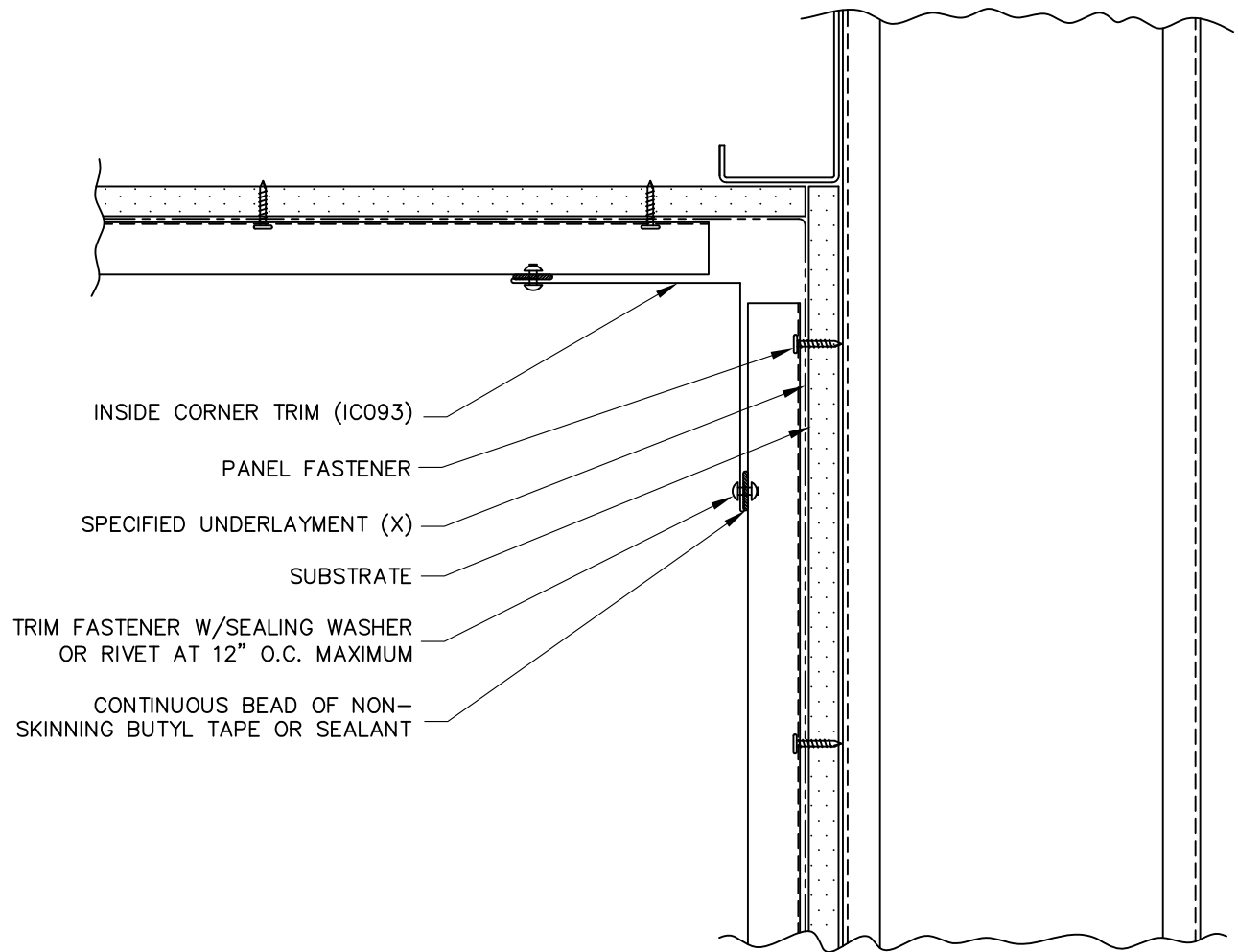
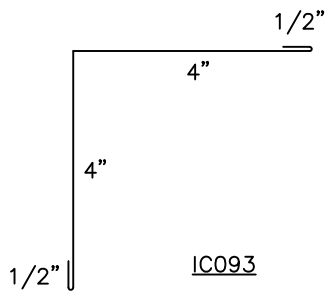
(X) - NOT BY AEP SPAN  
 (V) - DIMENSIONS VARY BASED ON PROJECT CONDITIONS



FLUSH PANEL  
 VERTICAL INSTALL.

SOFFIT (FRONT)

FPV-08

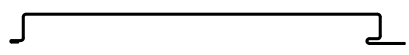


- INSIDE CORNER TRIM (IC093)
- PANEL FASTENER
- SPECIFIED UNDERLAYMENT (X)
- SUBSTRATE
- TRIM FASTENER W/SEALING WASHER OR RIVET AT 12" O.C. MAXIMUM
- CONTINUOUS BEAD OF NON-SKINNING BUTYL TAPE OR SEALANT

(X) - NOT BY AEP SPAN

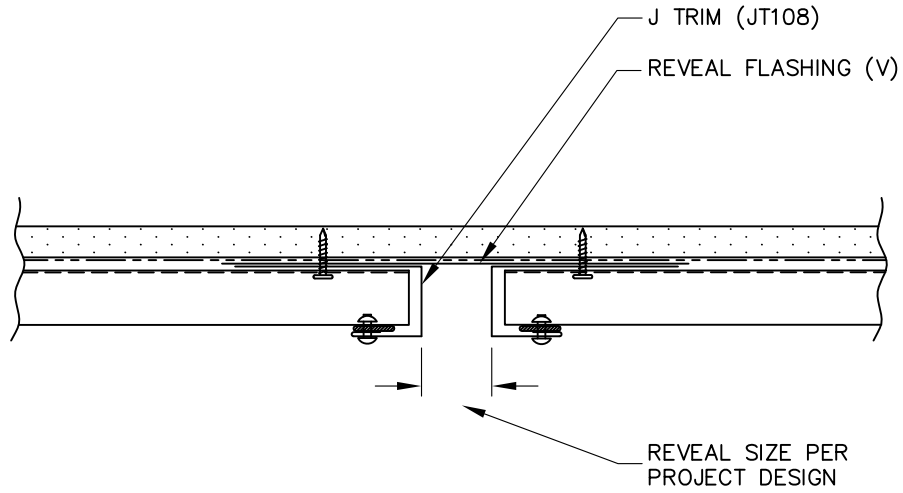
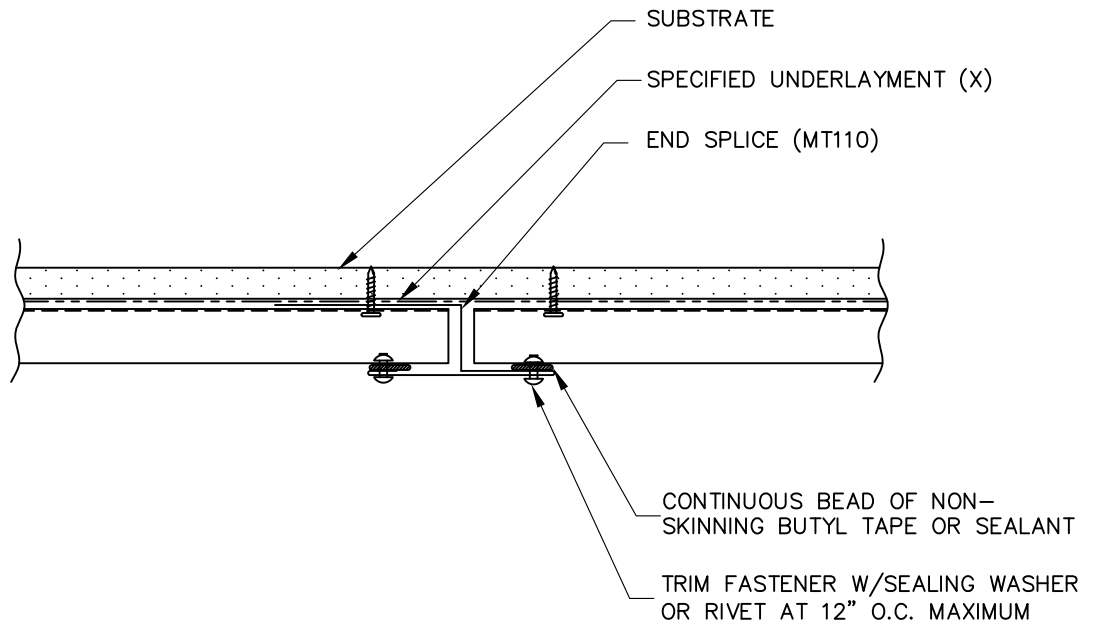
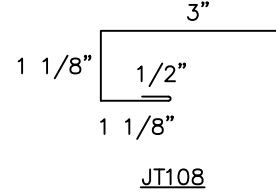
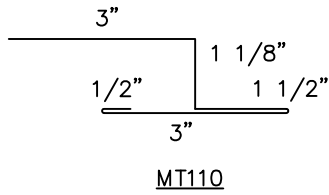


FLUSH PANEL  
VERTICAL INSTALL.



SOFFIT (BACK)

FPV-09

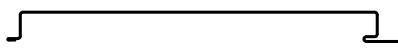


ALTERNATE DETAIL

(X) - NOT BY AEP SPAN  
(V) - DIMENSIONS VARY BASED ON PROJECT CONDITIONS

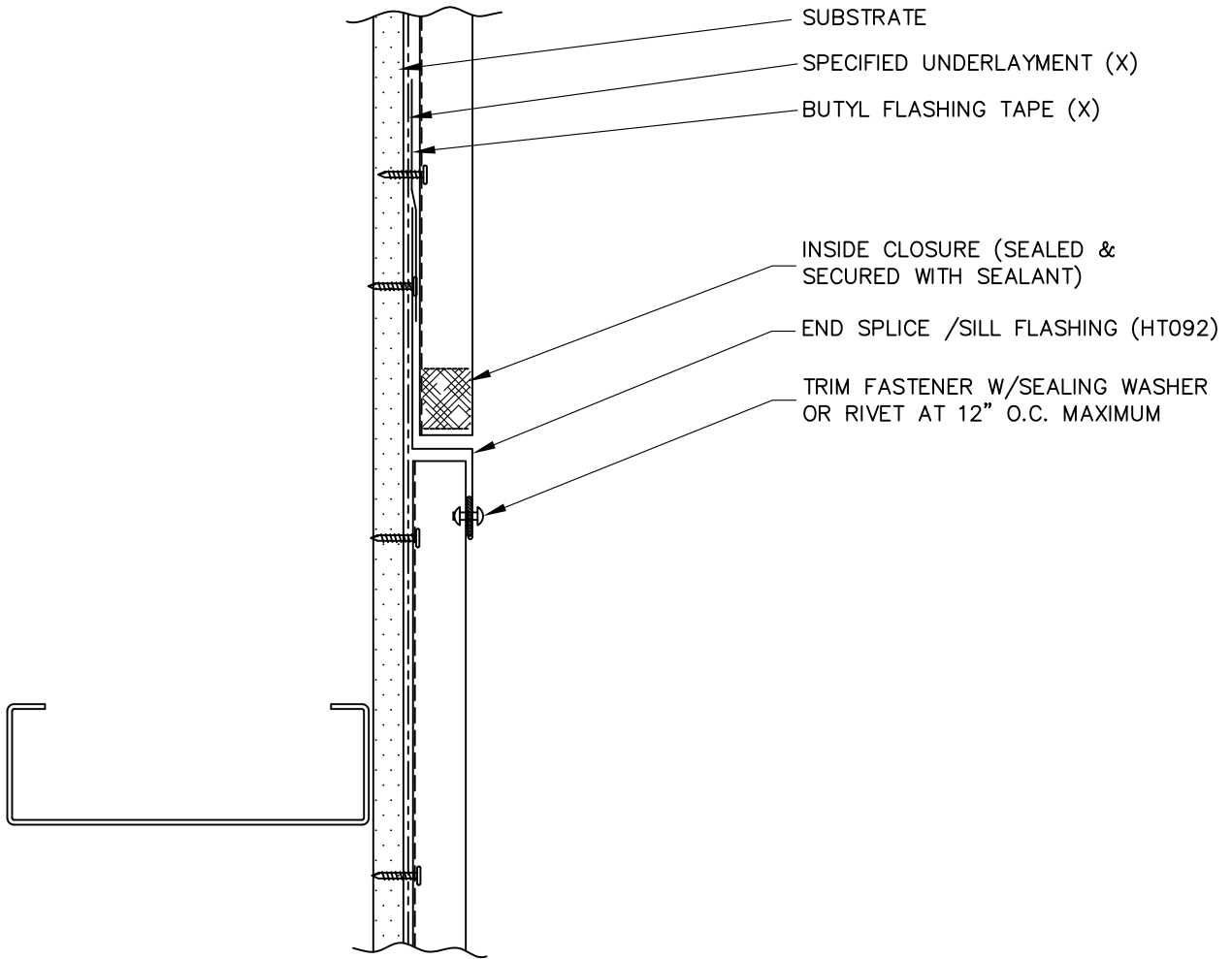
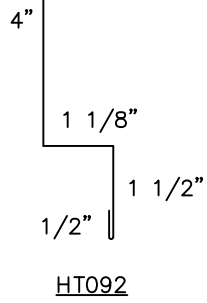


FLUSH PANEL  
VERTICAL INSTALL.



SOFFIT END SPLICE

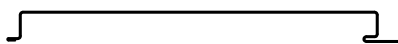
FPV-10



(X) - NOT BY AEP SPAN

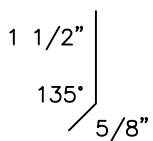


FLUSH PANEL  
VERTICAL INSTALL.

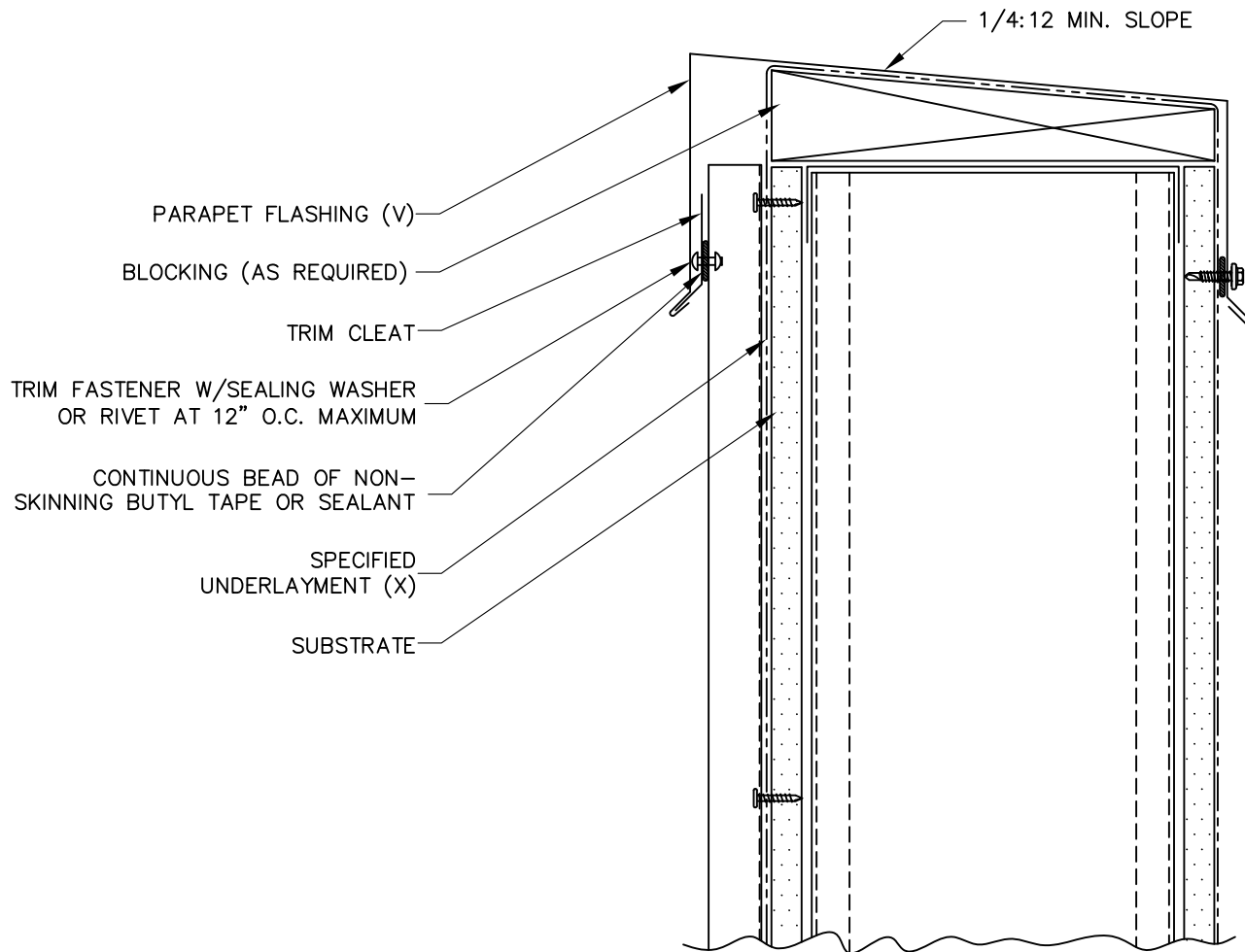


END SPLICE (W/TRIM)

FPV-11



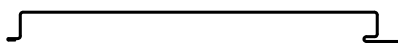
IC209



(X) - NOT BY AEP SPAN  
 (V) - DIMENSIONS VARY BASED ON PROJECT CONDITIONS

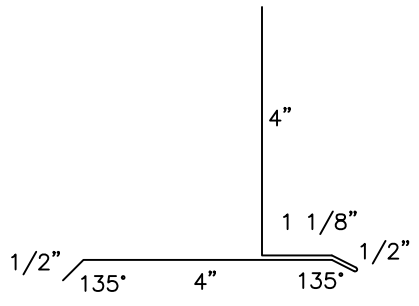


FLUSH PANEL  
 VERTICAL INSTALL.

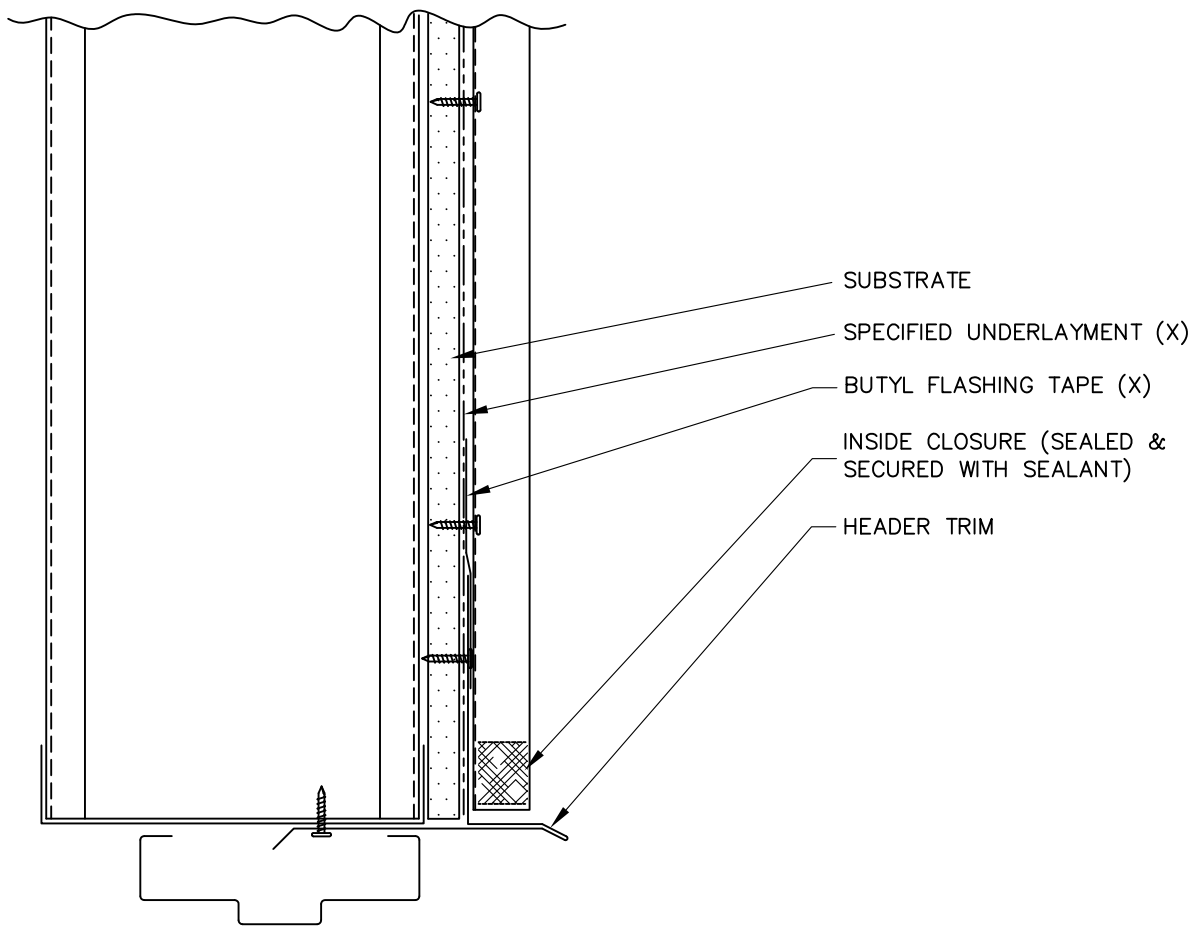


PARAPET

FPV-12



HT093

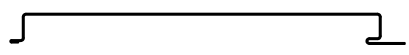


- SUBSTRATE
- SPECIFIED UNDERLAYMENT (X)
- BUTYL FLASHING TAPE (X)
- INSIDE CLOSURE (SEALED & SECURED WITH SEALANT)
- HEADER TRIM

(X) - NOT BY AEP SPAN



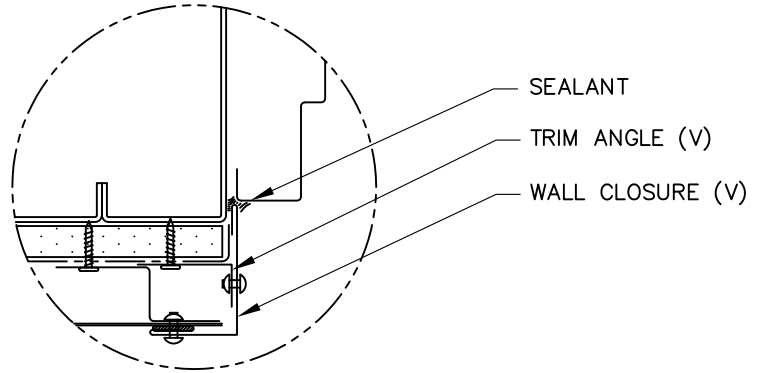
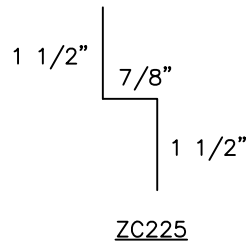
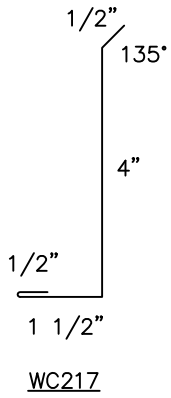
FLUSH PANEL  
VERTICAL INSTALL.



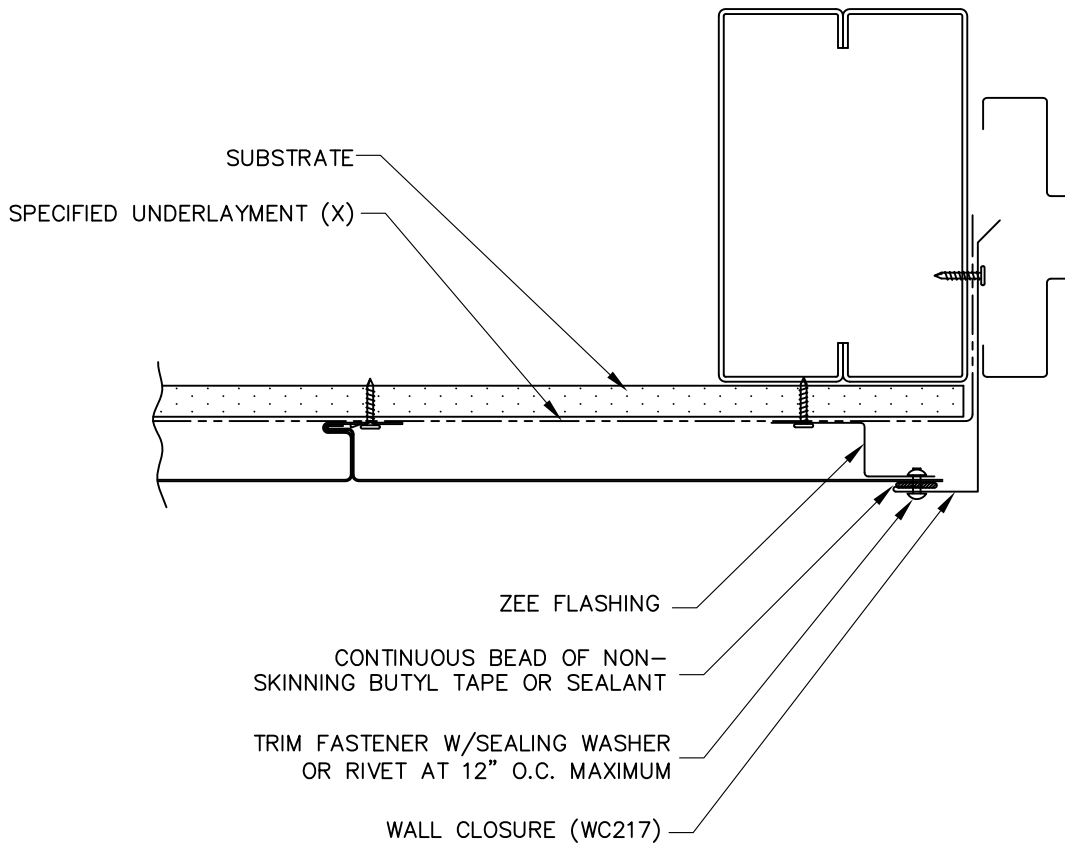
DOOR / WINDOW  
(HEAD)

FPV-13





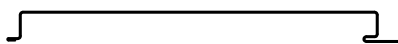
ALTERNATE DETAIL



(X) - NOT BY AEP SPAN  
 (V) - DIMENSIONS VARY BASED ON PROJECT CONDITIONS

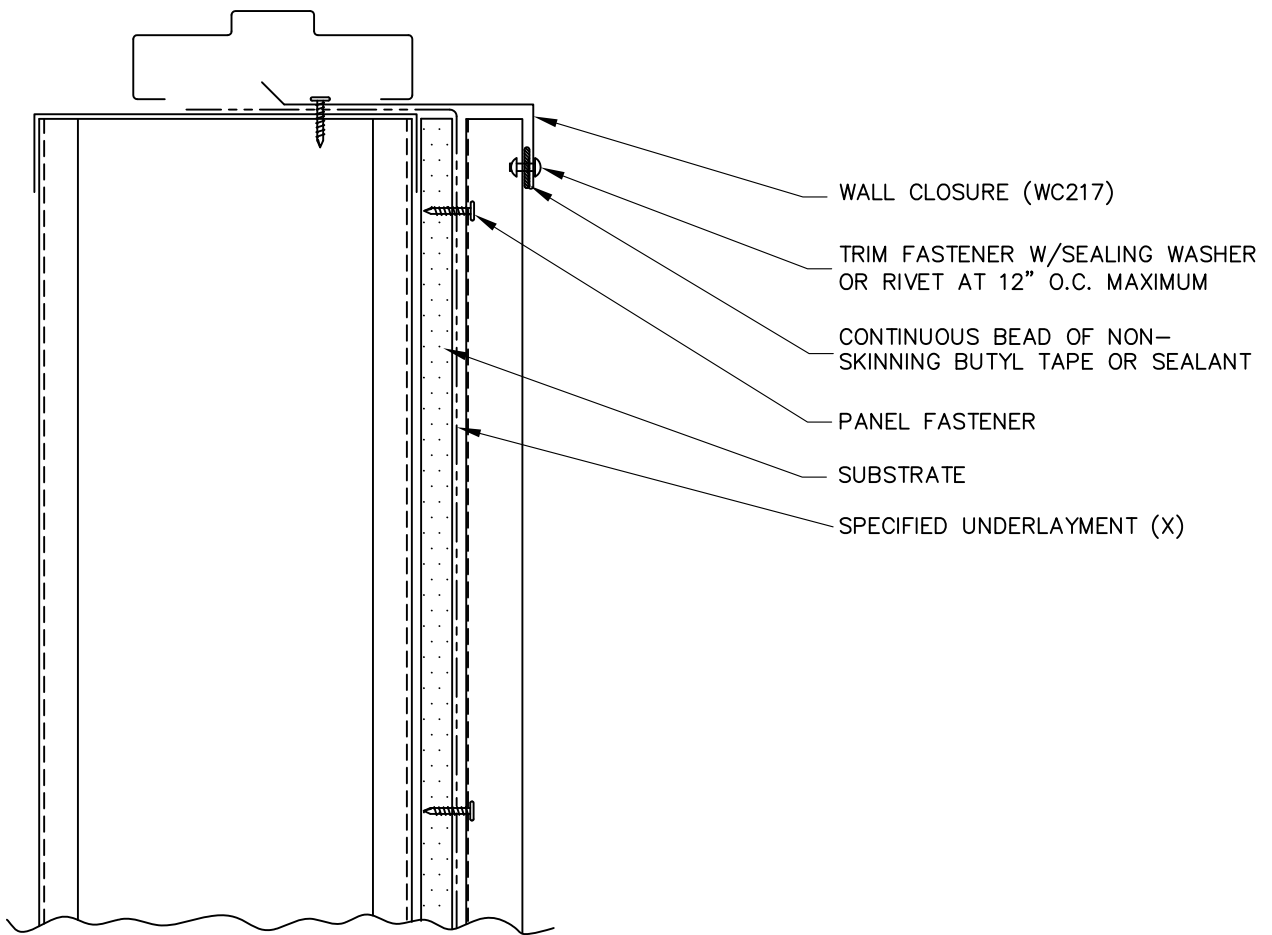
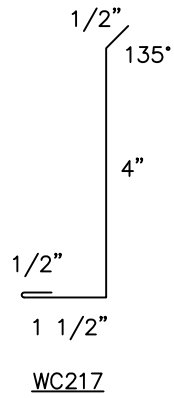


FLUSH PANEL  
 VERTICAL INSTALL.



DOOR / WINDOW  
 (JAMB)

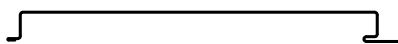
FPV-14



(X) - NOT BY AEP SPAN

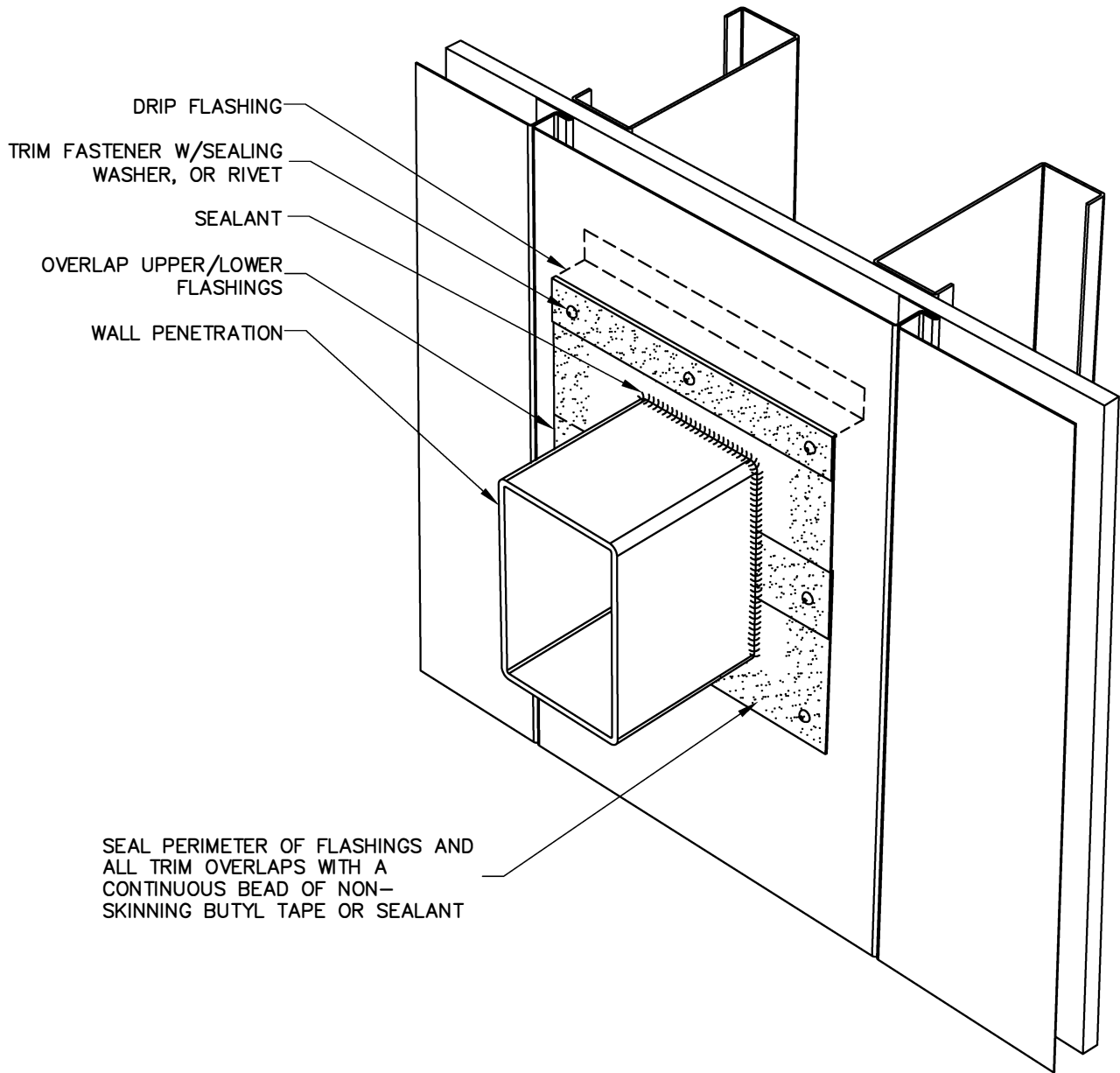


FLUSH PANEL  
VERTICAL INSTALL.

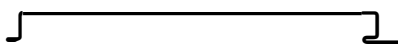


DOOR / WINDOW  
(SILL)

FPV-15

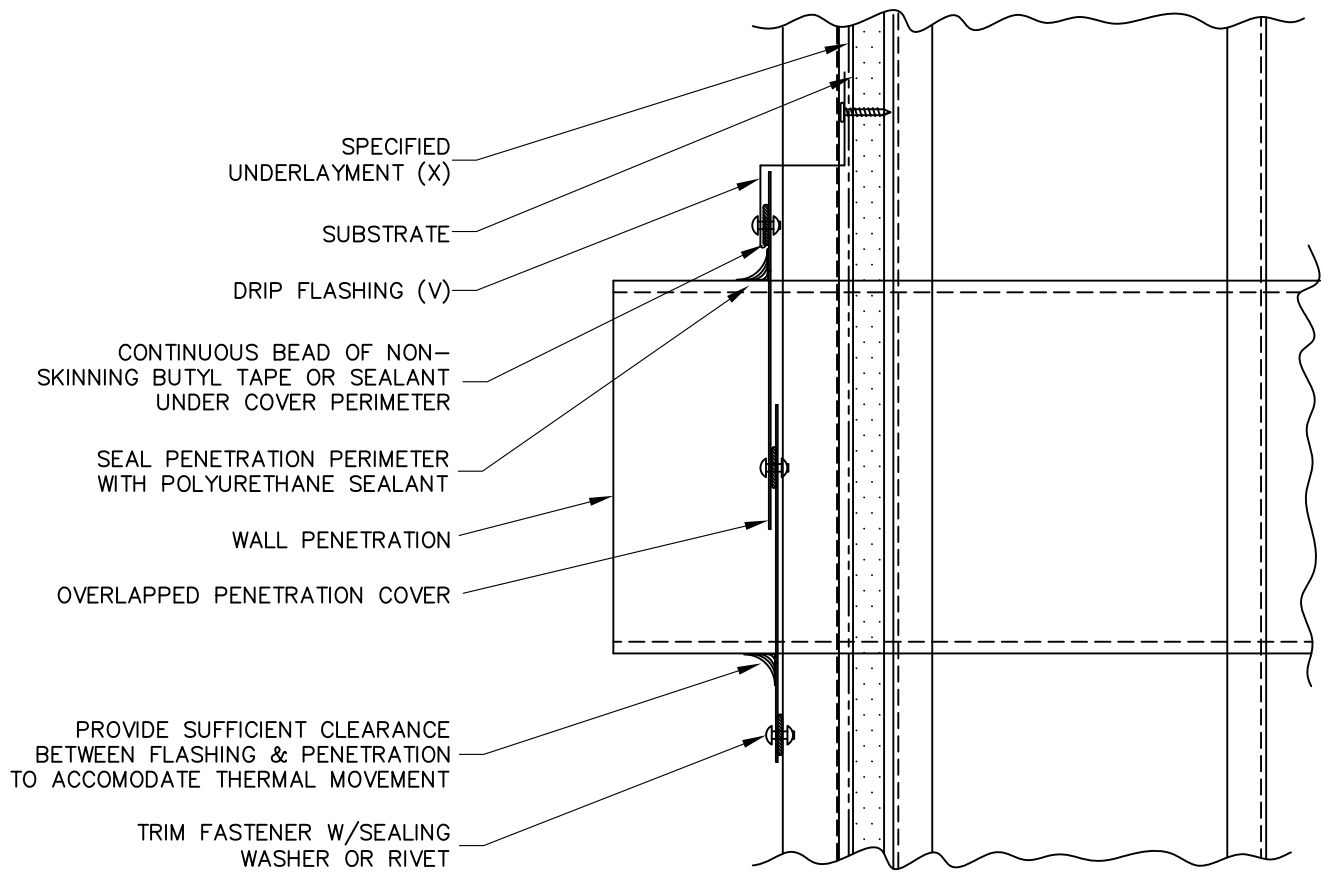


FLUSH PANEL  
VERTICAL INSTALL.



WALL PENETRATION (3D)

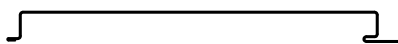
FPV-16



(X) - NOT BY AEP SPAN  
 (V) - DIMENSIONS VARY BASED ON PROJECT CONDITIONS

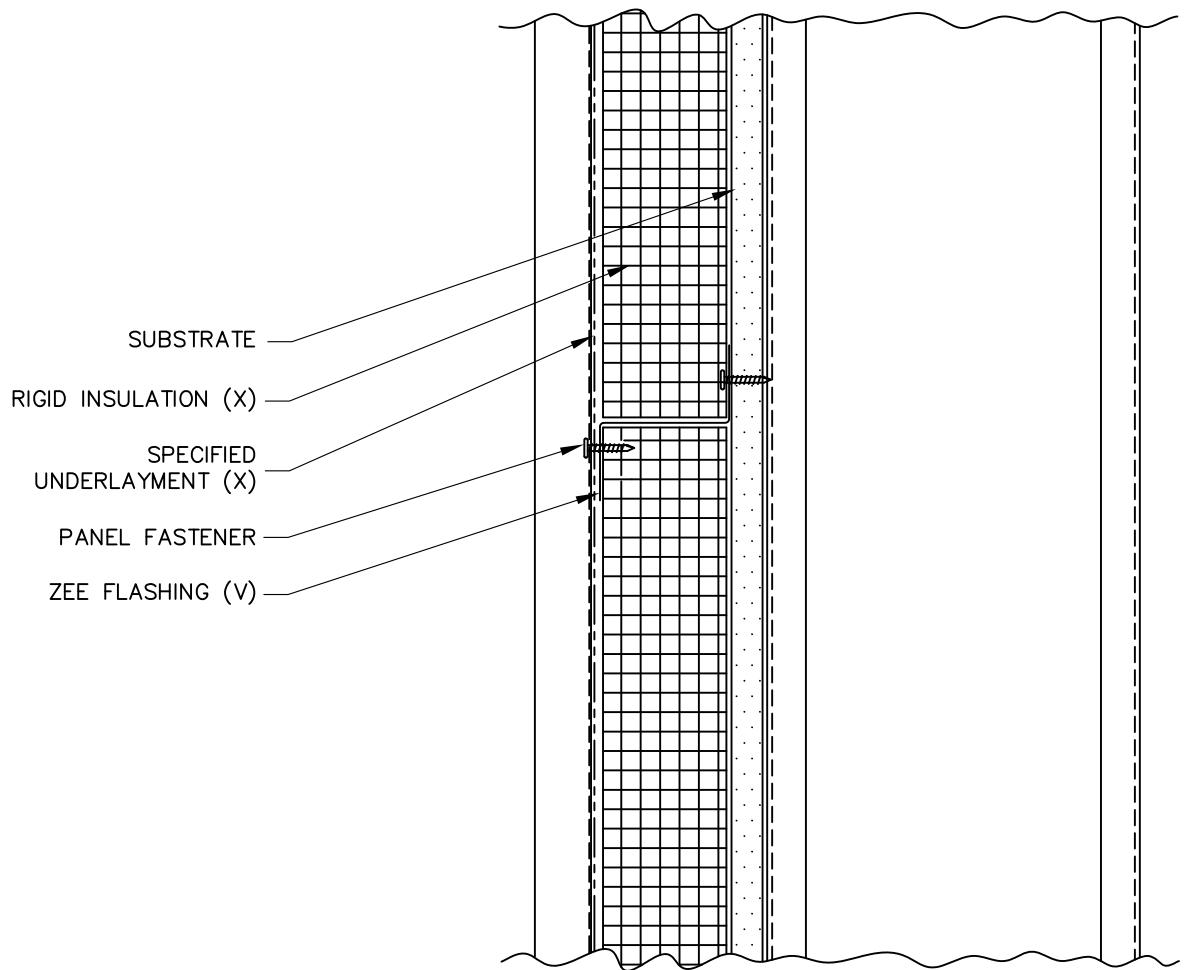


**FLUSH PANEL  
 VERTICAL INSTALL.**



**WALL PENETRATION**

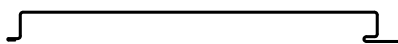
**FPV-17**



(X) - NOT BY AEP SPAN  
 (V) - DIMENSIONS AND GAGE VARY BASED ON PROJECT CONDITIONS



**FLUSH PANEL  
 VERTICAL INSTALL.**



RIGID INSULATION

FPV-18

MANUFACTURING FACILITY:

**Tacoma, Washington**

2141 Milwaukee Way  
Tacoma, WA 98421

CORPORATE HEADQUARTERS:

**ASC Profiles LLC**

2110 Enterprise Boulevard  
West Sacramento, CA 95691

CUSTOMER SERVICE:

**800-733-4955**

Visit us at:

**[www.aepspan.com](http://www.aepspan.com)**

