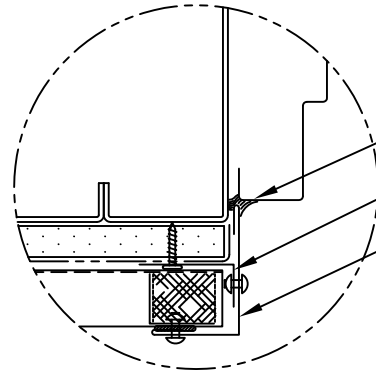
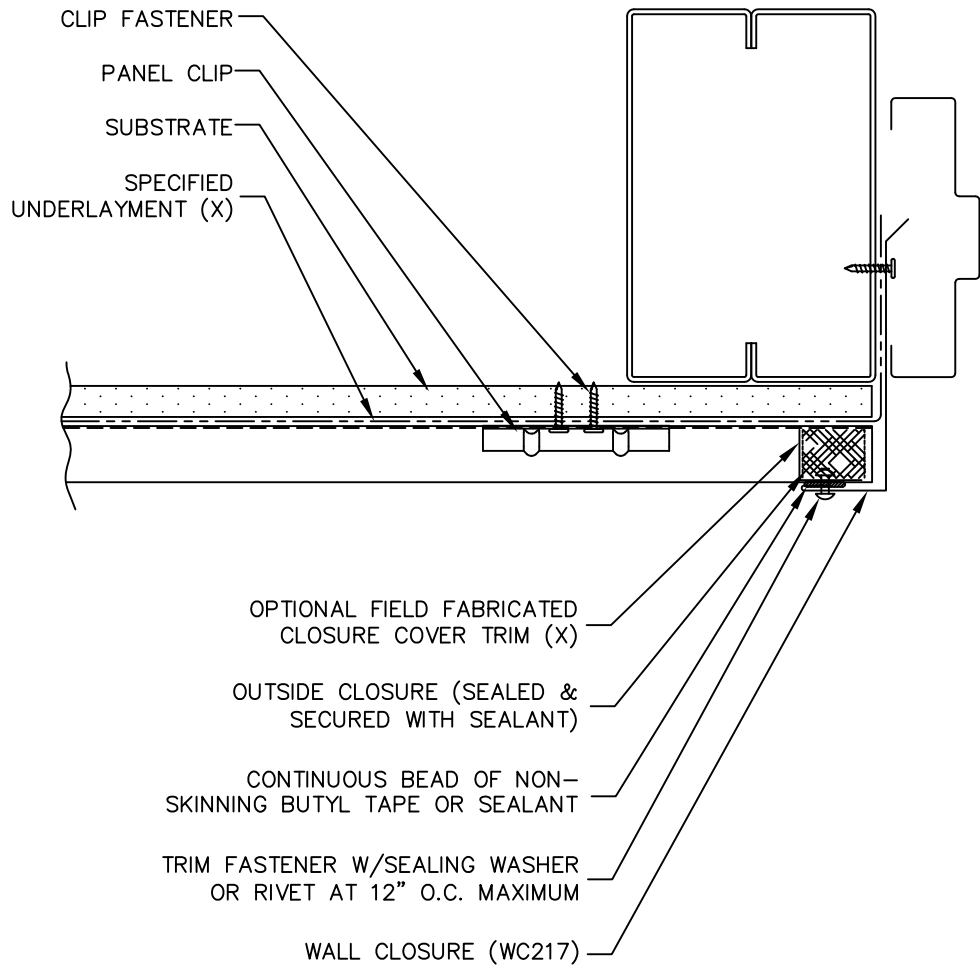


1/2"
135°
4"
1/2"
1 1/2"
WC217



SEALANT
TRIM ANGLE
WALL CLOSURE

ALTERNATE DETAIL



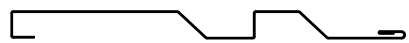
CLIP FASTENER
PANEL CLIP
SUBSTRATE
SPECIFIED UNDERLAYMENT (X)

OPTIONAL FIELD FABRICATED CLOSURE COVER TRIM (X)
OUTSIDE CLOSURE (SEALED & SECURED WITH SEALANT)
CONTINUOUS BEAD OF NON-SKINNING BUTYL TAPE OR SEALANT
TRIM FASTENER W/SEALING WASHER OR RIVET AT 12" O.C. MAXIMUM
WALL CLOSURE (WC217)

(X) - NOT BY AEP SPAN



PERCEPTION
COLLECTION
HORIZONTAL INSTALL.



DOOR / WINDOW
(JAMB)

PCH-15