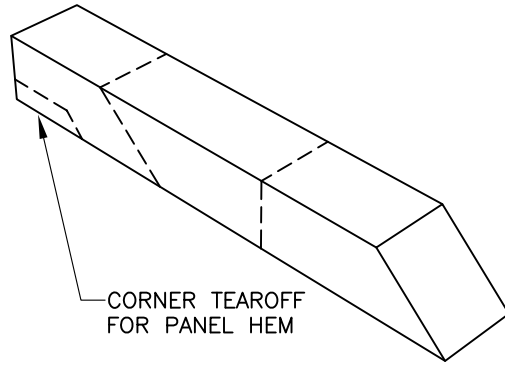


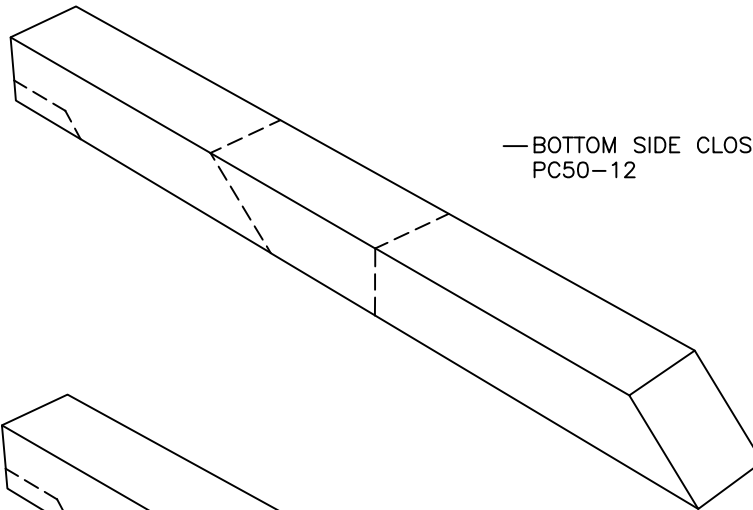
CLPC-1P



— TOP SIDE CLOSURE FOR ALL PANELS &
BOTTOM SIDE CLOSURE FOR PC10-12

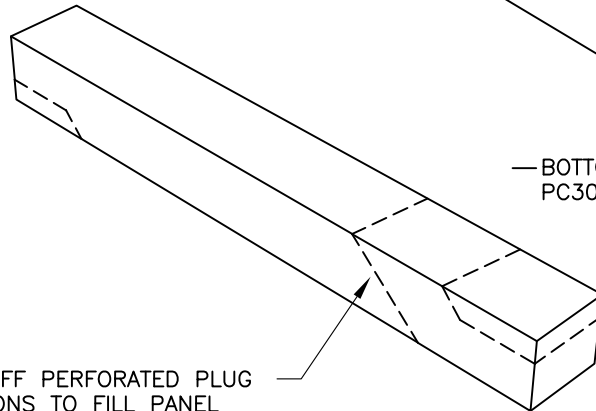
CORNER TEAROFF
FOR PANEL HEM

CLPC-2P



— BOTTOM SIDE CLOSURE FOR PC40-12 &
PC50-12

CLPC-3P



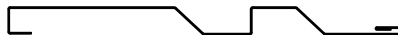
— BOTTOM SIDE CLOSURE FOR PC20-12 &
PC30-12

TEAROFF PERFORATED PLUG
SECTIONS TO FILL PANEL
REVEALS AS REQUIRED

NOTE: APPLICATIONS UTILIZING STANDOFF CLIP ALSO REQUIRE
UNIVERSAL CLOSURE STRIP (AEP #CLEM1x19.68 OR EQUIV.) TO
SEAL OFF ADDITIONAL 1/2" PANEL-TO-SUBSTRATE GAP.



PERCEPTION
COLLECTION
VERTICAL INSTALL.



PANEL CLOSURES

PCV-03