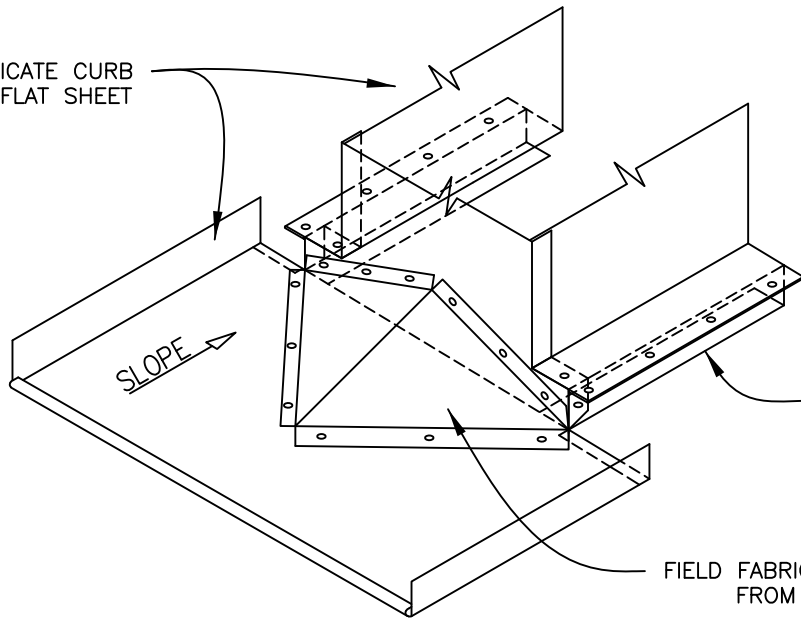
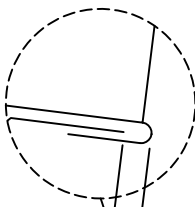


FIELD FABRICATE CURB
FLASHINGS FROM FLAT SHEET



STANDARD ZEE
CLOSURE

FIELD FABRICATE CRICKET
FROM FLAT SHEETS



EQUIPMENT TRIM
(NOT BY AEP-SPAN)

CLEARANCE FOR
THERMAL MOVEMENT
PER CALCULATIONS

FASTENER
(NOT BY AEP-SPAN)

CRICKET TO BE
FIELD FABRICATED
FROM FLAT STOCK

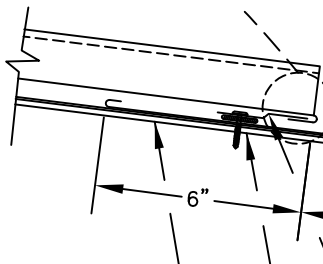
FIELD FABRICATED
HEADWALL TRIM

1/8" RIVET
@ 12" O.C.

FASTENER
(NOT BY AEP-SPAN)

8" MIN

6"



JOGGLE CLEAT
(#JC095)
3/16" x 7/8" CONTINUOUS
DOUBLE BEAD BUTYL TAPE

SUBSTRATE

ZEE
CLOSURE

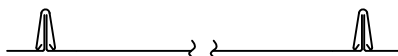
FIELD FABRICATED
HALF VALLEY TRIM

FASTENERS



SELECT SEAM NARROW BATTEN

ROOF CURB (UPHILL /
DOWNHILL DETAIL)



SSNB-18