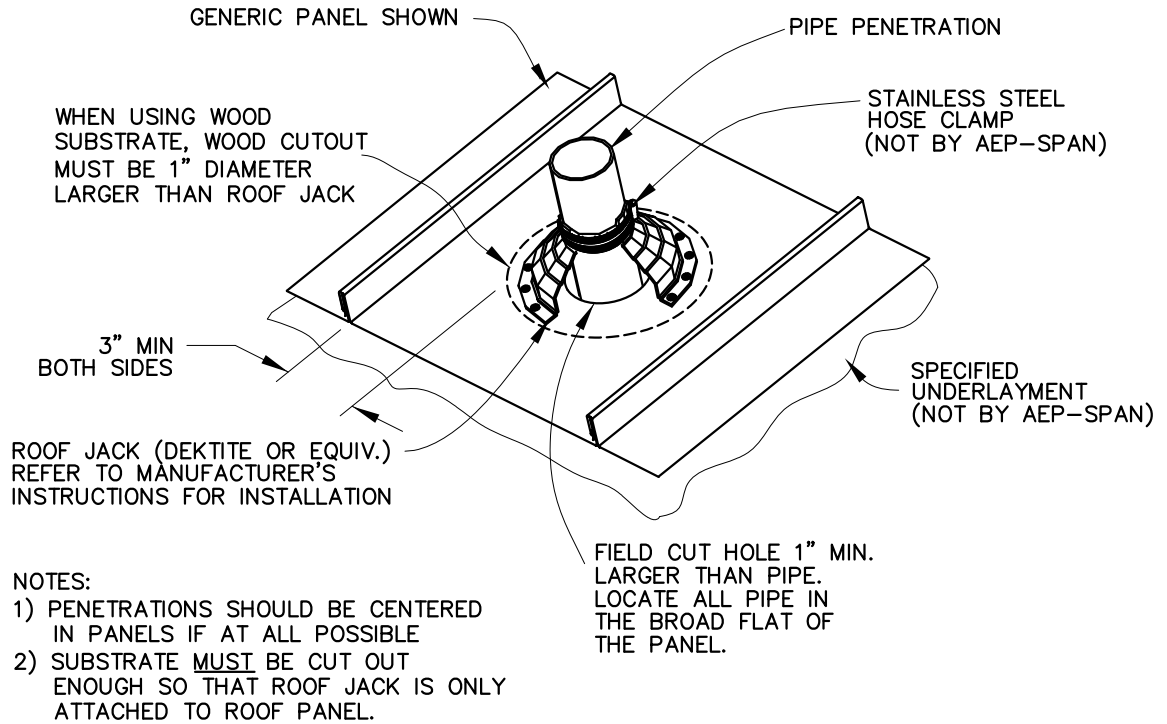
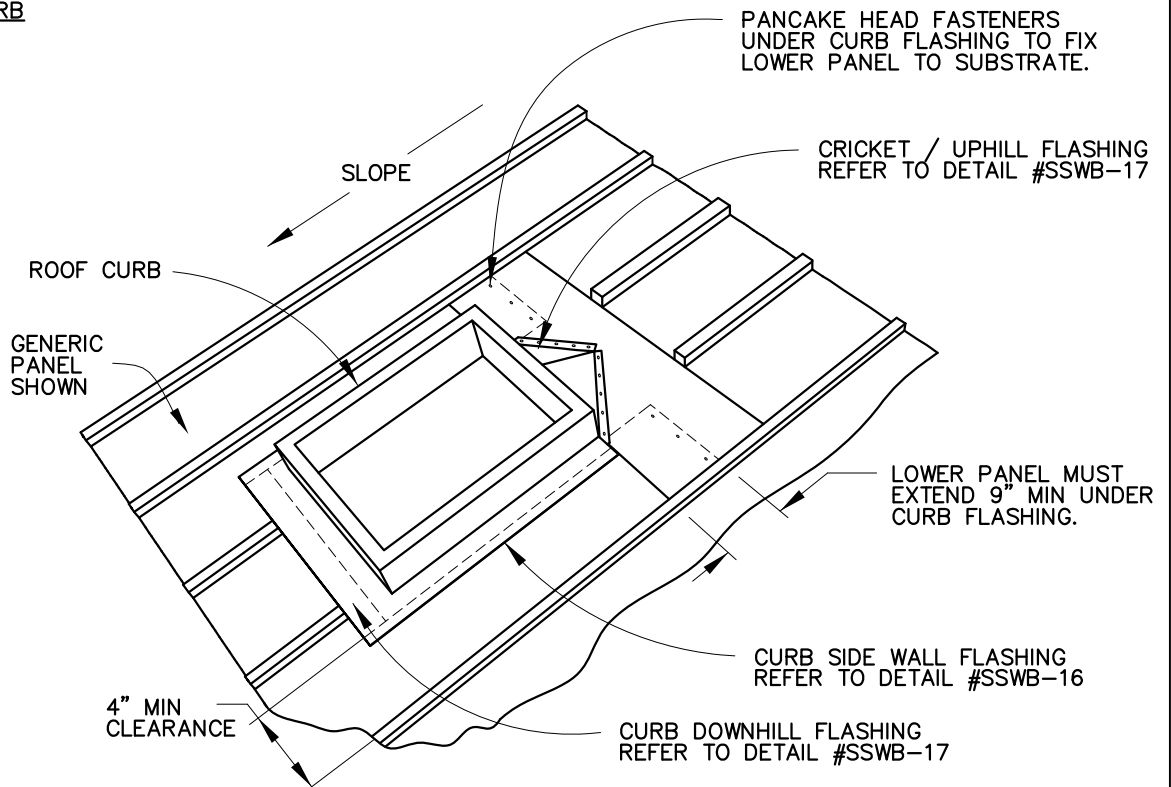


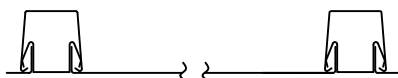
ROOF JACK



ROOF CURB



**SELECT SEAM**  
WIDE BATTEN



**ROOF PENETRATIONS**

**SSWB-15**