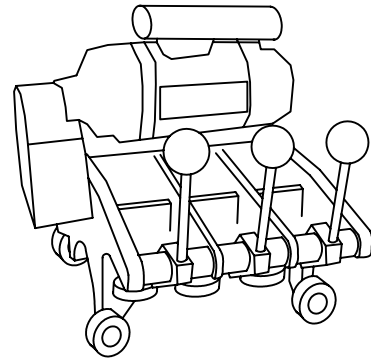


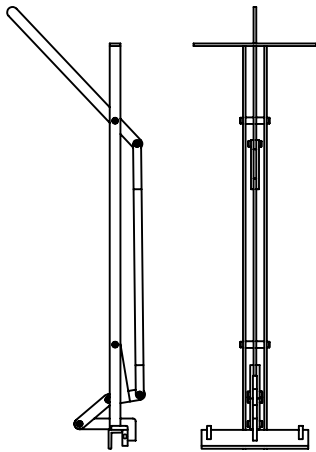
SEAMER (MODEL #922)  
(NOT BY AEP SPAN)



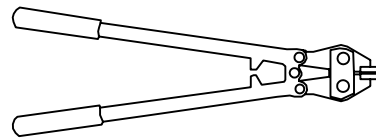
SEAMER (MODEL #230)  
(NOT BY AEP SPAN)

SEAMERS ARE PROVIDED AND MAINTAINED THROUGH DI ROOF SEAMERS. ALL AEP SPAN CUSTOMER MUST WORK DIRECTLY WITH DI FOR SEAMER RENTALS, AS THEY ARE THE ONLY AEP SPAN CERTIFIED SEAMER SUPPLIER. THEY CAN BE CONTACTED AT: PH: 888-343-0456, FX: 662-287-6744, OR AT WWW.DISEAMERS.COM

RENTAL SEAMER WILL EITHER BE A LIGHTWEIGHT MODEL #230 SEAMER OR A MODEL #922 SEAMER. PRODUCT SELECTION WILL BE MADE BY DI ROOF SEAMERS BASED ON PRODUCT PERFORMANCE, AND/OR JOBSITE REQUIREMENTS.



90° HAND CRIMPER  
(SOLD BY AEP SPAN)



180° HAND CRIMPER  
(NOT BY AEP SPAN)



**SPANSEAM**



**PANEL SEAMING**

**SPS-20**