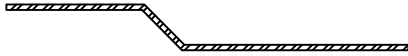


PANEL SUPPORT PLATE WITH
2 1/2" STANDOFF CLIPS

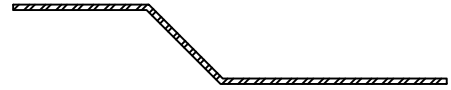
16ga.



PROD. CODE: SLPS1.5x.516_M

PANEL SUPPORT PLATE WITH
3" STANDOFF CLIPS

16ga.



PROD. CODE: SLPS1.5x116_M

PANEL END STIFFENER
FOR 2" SPAN LOK

18ga.



PROD. CODE: SL2ES2_M

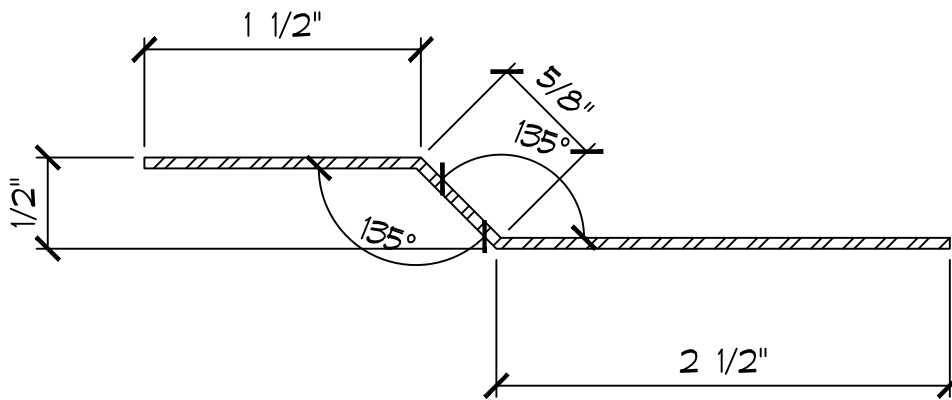
| | |
|----------------|------------------|
| DATE: 04/13/12 | FILE NAME: FQG-1 |
| DRAWN BY: MDL | REV. DATE |
| SHEET: | |
| FQG-1 | |



AEP-SPAN
5100 EAST GRAND AVE
DALLAS, TX 75223
PHONE: (214)821-1140
FAX: (214)828-1394

SECTION 9
MANUFACTURING DETAILS

THIS DRAWING IS THE
PROPERTY OF AEP-SPAN
CORPORATION. THE USE OF
THIS DRAWING WITHOUT
THE EXPRESS PER-MISSION
OF AEP-SPAN IS
PROHIBITED.



LOW 16ga. SUPPORT w/ NO INSULATION
 33 KSI MIN. (USED WITH SPAN LOK
 2 1/2" PANEL CLIP)

AEP SPAN
 PRODUCT CODE:
 SLPS1.5x.516_M

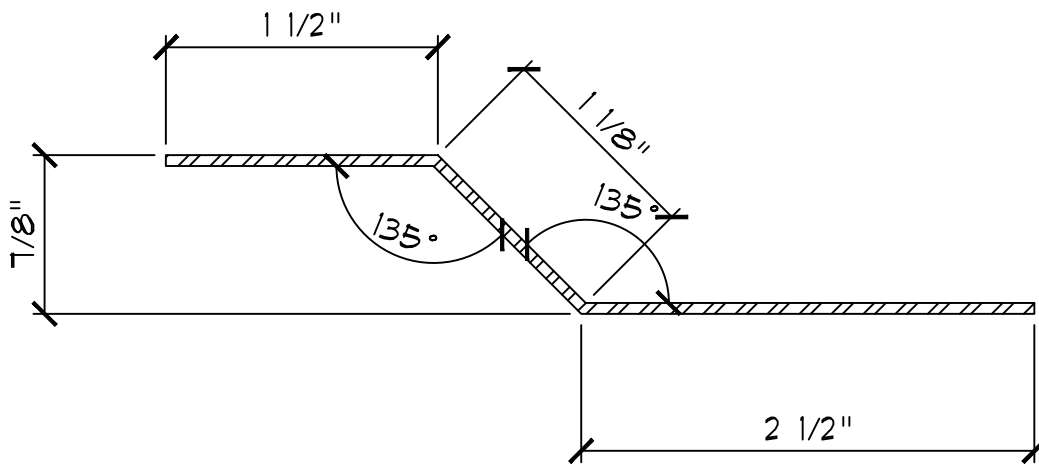
GAUGE: 16 STRETCH-OUT: 4 5/8"
 COLOR: GALVANIZED # OF BREAKS: 2
 LENGTH: 10'-0" QUANTITY: _____

PART #: SLPS1.5x.516_M
 PART NAME:
PANEL SUPPORT

CUSTOMER: _____
 JOB NAME: _____
 AEPS ORDER #: _____

DRAWN BY: _____
 DATE: _____
 ACCEPTED BY: _____
 DATE: _____

 **AEP SPAN**
Engineered Solutions in Metal
 5100 EAST GRAND AVE • DALLAS, TX 75223
 PHONE: (214)821-1140 • FAX: (214)828-1934



HIGH 16ga SUPPORT w/ INSULATION
 33 KSI MIN. (USED WITH SPAN LOK
 3" PANEL CLIP

AEP SPAN
 PRODUCT CODE:
 SLPS1.5x116_M

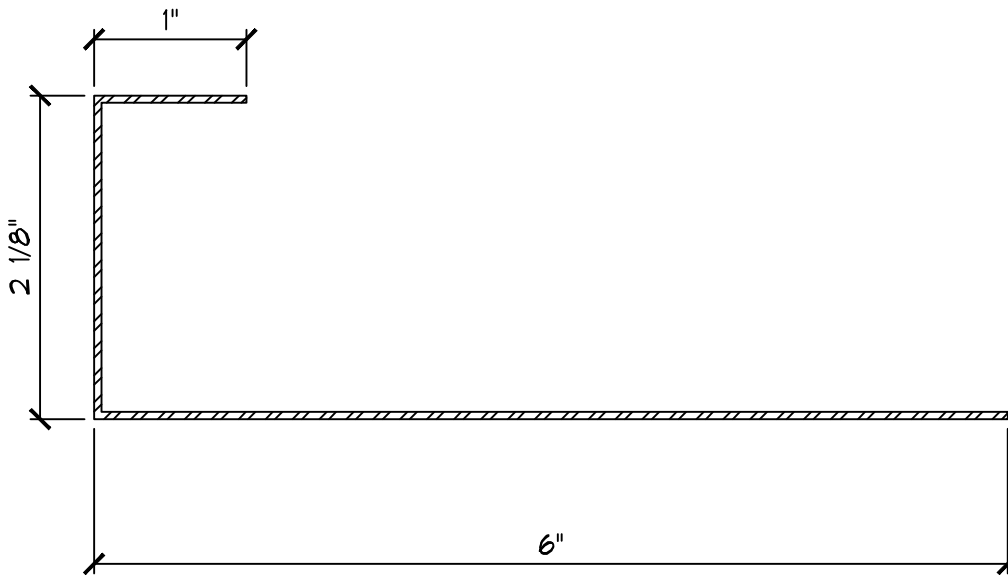
GAUGE: 16ga. STRETCH-OUT: 5 1/8"
 COLOR: GALVANIZED # OF BREAKS: 2
 LENGTH: 10'-0" QUANTITY: _____

PART #: SLPS1.5x116_M
 PART NAME:
1" PANEL SUPPORT

CUSTOMER: _____
 JOB NAME: _____
 AEPS ORDER #: _____

DRAWN BY: _____
 DATE: _____
 ACCEPTED BY: _____
 DATE: _____

AEP SPAN
Engineered Solutions in Metal
 5100 EAST GRAND AVE • DALLAS, TX 75223
 PHONE: (214)821-1140 • FAX: (214)828-1994



18ga SL216
33KSI MIN.

AEP SPAN
PRODUCT CODE:
SL2ES2_M

GAUGE: 18 STRETCH-OUT: 9 1/8"
 COLOR: GALVANIZED # OF BREAKS: 2
 LENGTH: 10'-0" QUANTITY: _____

PART #: SL2ES2_M
 PART NAME:
PANEL END STIFFENER

CUSTOMER: _____
 JOB NAME: _____
 AEPS ORDER #: _____

DRAWN BY: _____
 DATE: _____
 ACCEPTED BY: _____
 DATE: _____



AEP SPAN
Engineered Solutions in Metal

5100 EAST GRAND AVE • DALLAS, TX 75223
 PHONE: (214)821-1140 • FAX: (214)828-1994